

The following page(s) are extracted from multi-page Kuhnke product catalogues or CDRoms and any page number shown is relevant to the original document. The PDF sheets here may have been combined to provide technical information about the specific product(s) you have selected.

Hard copy product catalogues, and CDRoms have been published describing Kuhnke Pneumatics, Solenoids, Relays and Electronics; some divided into different books. A list of current publications is available on this web site or from our sales offices. Some may be available for download, but as substantially larger files.

Contact Details

Kuhnke sales and service in North America

Kuhnke
Automation Inc.
P.O Box 1369
Wayne, N.J.

T: (973) 633 0690
F: (973) 633 7230
Email: sales@kuhnkeusa.com

Important Note

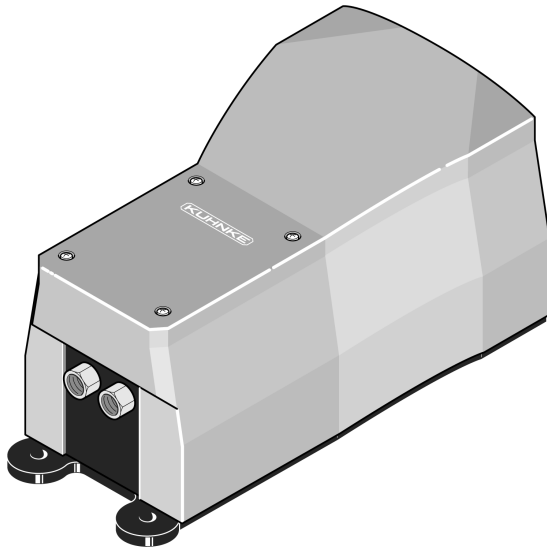
The information shown in these documents is for guidance only. No liability is accepted for any errors or omissions. The designer or user is solely responsible for the safe and proper application of the parts, assemblies or equipment described.

Manually Operated Valves

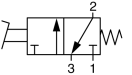
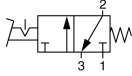
General Purpose

Kuhnke Power Valves

Foot Pedal, 3 Way, 1/8 Ports



Foot pedal valves can be used to operate devices which hold work pieces in place on bench workstations or perform punching or drilling operations on production pieces. Housing shields pedal preventing accidental operation. Enclosure is constructed of polycarbonate and available in high visibility yellow or blue colors.

Description	Orifice Port	Color	Catalog Number	
			NPT Ports** (USA Std.)	Metric Ports (European Std.)
3 Way Spring Return Normally Closed 	2mm 1/8	Yellow	75026-68-21	76026-68-21
	2mm 1/8	Blue	75026-69-21	76026-69-21
3 Way Latch/Unlatch Normally Closed 	2mm 1/8	Yellow	75026-68-29	76026-68-29
	2mm 1/8	Blue	75026-69-29	76026-69-29

** For NPT versions, a metric ported foot pedal unit is supplied with NPT fitting adaptor kits.

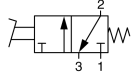
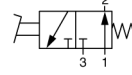
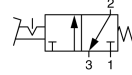
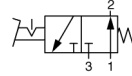
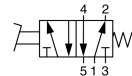
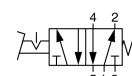
Operating pressure range is 0 to 145 PSI. Actuation force @ 90 PSI, is approx. 8 lbs.

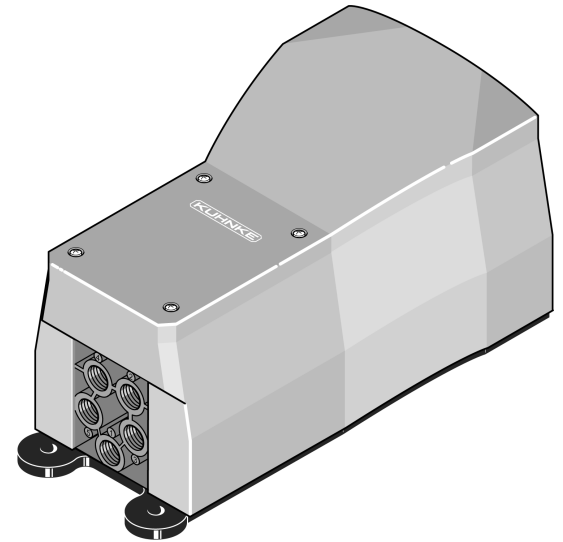
Enclosure dimensions are 9" L x 5 5/8" W x 4 5/8" H. Enclosure- polycarbonate, valve body die cast aluminum housing with Buna N seals.

Foot pedals with 2mm orifice valves have an internal non-accessible exhaust port.

Foot Pedal, 1/4 Ports

Foot pedals are available in 3 or 4 way spring return or maintained versions. Latching pedals can be used to lock work pieces in place, while spring return units can be used to perform work operations like punching, pressing etc.

Description	Orifice Port	Color	Catalog Number	
			NPT Ports** (USA Std.)	Metric Ports (European Std.)
3 Way Spring Return Normally Closed 	8mm 1/4	Yellow	75046-68-21	76046-68-21
	8mm 1/4	Blue	75046-69-21	76046-69-21
3 Way Spring Return Normally Open 	--	--	--	--
	8mm 1/4	Blue	75046-69-31	76046-69-31
3 Way Latch/Unlatch Normally Closed 	8mm 1/4	Yellow	75046-68-29	76046-68-29
	8mm 1/4	Blue	75046-69-29	76046-69-29
3 Way Latch/Unlatch Normally Open 	--	--	--	--
	8mm 1/4	Blue	75046-69-30	76046-69-30
4 Way Spring Return 	8mm 1/4	Yellow	75047-68-41	76047-68-41
	8mm 1/4	Blue	75047-69-41	76047-69-41
4 Way Latch/Unlatch 	8mm 1/4	Yellow	75047-68-49	76047-68-49
	8mm 1/4	Blue	75047-69-49	76047-69-49



** For NPT versions, a metric ported foot pedal unit is supplied with NPT fitting adaptor kits.

Operating pressure range is 0 to 145 PSI. Actuation force @ 90 PSI, is approx. 8 lbs.

Enclosure dimensions are 9" L x 5 5/8" W x 4 5/8" H. Enclosure- polycarbonate, valve body die cast aluminum housing with Buna N seals.