

The following page(s) are extracted from multi-page Kuhnke product catalogues or CDRoms and any page number shown is relevant to the original document. The PDF sheets here may have been combined to provide technical information about the specific product(s) you have selected.

Hard copy product catalogues, and CDRoms have been published describing Kuhnke Pneumatics, Solenoids, Relays and Electronics; some divided into different books. A list of current publications is available on this web site or from our sales offices. Some may be available for download, but as substantially larger files.

Contact Details

Kuhnke sales and service in North America

Kuhnke
Automation Inc.
P.O Box 1369
Wayne, N.J.

T: (973) 633 0690
F: (973) 633 7230
Email: sales@kuhnkeusa.com

Important Note

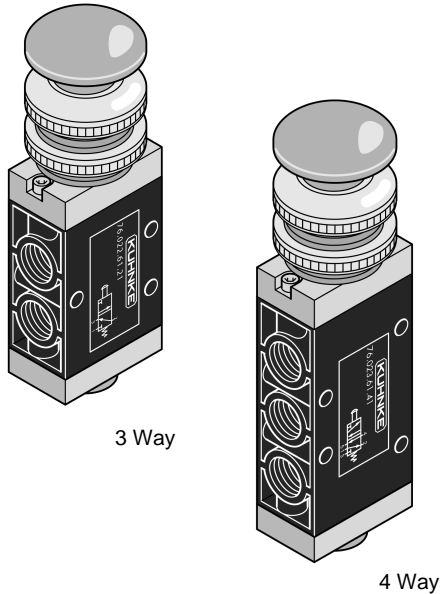
The information shown in these documents is for guidance only. No liability is accepted for any errors or omissions. The designer or user is solely responsible for the safe and proper application of the parts, assemblies or equipment described.

Manually Operated Valves

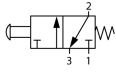
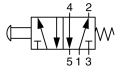
General Purpose

Kuhnke Power Valves

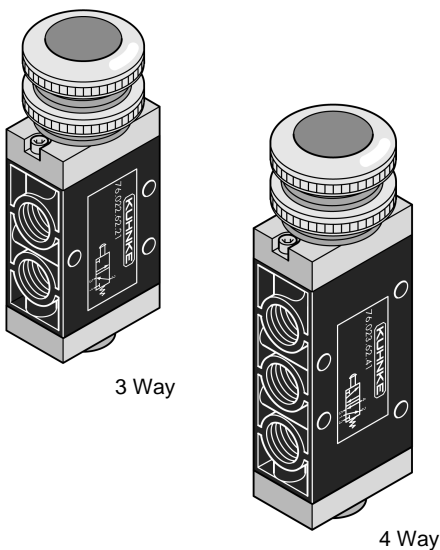
Mushroom Head Pushbutton, 1/8 Ports



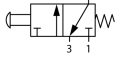
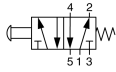
Mushroom Heads provide easy palm operation of valve. Mushroom diameter is 1 3/8 inch. Button can be mounted in panels up to 1/2 inch thick or mounted via through body holes.

| Description | Orifice Port (Body No.) | PB Color | Catalog Number | |
|--|-------------------------|----------|----------------------|------------------------------|
| | | | NPT Ports (USA Std.) | Metric Ports (European Std.) |
| 3 Way Spring Return  | 6mm 1/8 Port (1S) | Red | 75022-61-21 | 76022-61-21 |
| | | Black | 75022-61-23 | 76022-61-23 |
| | | Green | 75022-61-24 | 76022-61-24 |
| 4 Way Spring Return  | 6mm 1/8 Port (2S) | Red | 75023-61-41 | 76023-61-41 |
| | | Black | 75023-61-43 | 76023-61-43 |
| | | Green | 75023-61-44 | 76023-61-44 |

Flush Head Pushbutton, 1/8 Ports



Flush Head pushbuttons are used to prevent accidental operation or provide flat panel appearance. Button is flush with shroud surface and diameter is 1 3/8 inch.

| Description | Orifice Port (Body No.) | PB Color | Catalog Number | |
|--|-------------------------|----------|----------------------|------------------------------|
| | | | NPT Ports (USA Std.) | Metric Ports (European Std.) |
| 3 Way Spring Return  | 6mm 1/8 Port (1S) | Red | 75022-62-21 | 76022-62-21 |
| | | Black | 75022-62-23 | 76022-62-23 |
| | | Green | 75022-62-24 | 76022-62-24 |
| 4 Way Spring Return  | 6mm 1/8 Port (2S) | Red | 75023-62-41 | 76023-62-41 |
| | | Black | 75023-62-43 | 76023-62-43 |
| | | Green | 75023-62-44 | 76023-62-44 |

Operating pressure range is 0 to 145 PSI. Actuation force @ 90 PSI, is approx. 7.9 Lbs.

For normally open function on 3 way valve reverse connect ports 1-3. For 2 way operation, plug port 3.

Panel mounting hole is 1 3/16 inch (30mm) diameter. Above panel dimensions are 1.375" Dia. x .875" H. (Mushroom) or .375" H. (Flush Head).

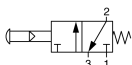
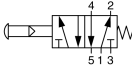
Behind panel dimensions of 3 way valve – 3.25" D x 1.375" H x .75" W; 4 way valve- 4" D x 1.375" H x .75" W. Allow space for fittings and tubing.

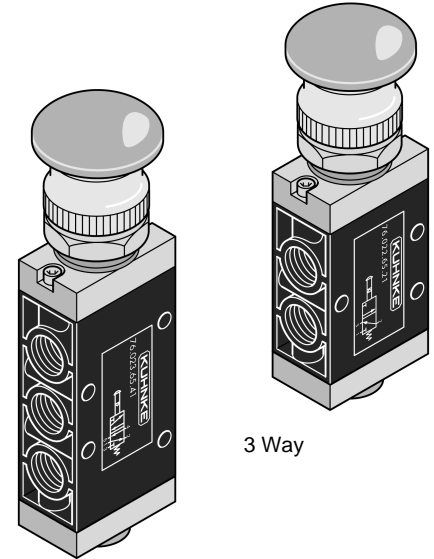
Valve through body mounting holes are 3/16" diameter.

For valve specifications see appendix. For detail dimensions contact factory.

Mushroom Head Pushbutton, Air Pilot Assisted, 1/8 Ports

Mushroom Heads provide easy operation of valve. An internal air pilot assist using the supply air, reduces the force necessary to operate valve to 14 ounces.

| Description | Orifice Port (Body No.) | PB Color | Catalog Number | |
|--|----------------------------|----------|-------------------------|---------------------------------|
| | | | NPT Ports (USA Std.) | Metric Ports (European Std.) |
| 3 Way Spring Return  | 6mm 1/8 Port (1S) | Red | 75022-65-21 | 76022-65-21 |
| | | Black | 75022-65-23 | 76022-65-23 |
| | | Green | 75022-65-24 | 76022-65-24 |
| 4 Way Spring Return  | 6mm 1/8 Port (2S) | Red | 75023-65-41 | 76023-65-41 |
| | | Black | 75023-65-43 | 76023-65-43 |
| | | Green | 75023-65-44 | 76023-65-44 |

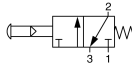
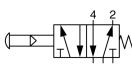


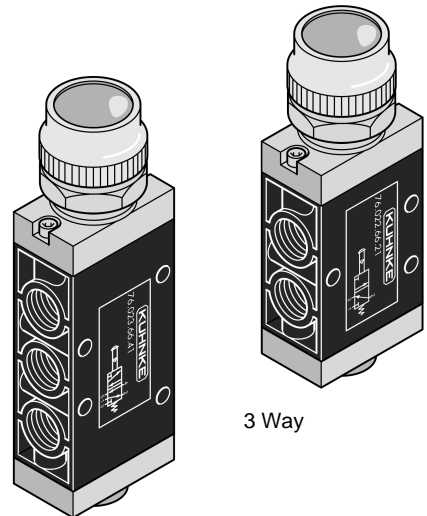
4 Way

3 Way

Shrouded Head Pushbutton, Air Pilot Assisted, 1/8 Ports

Shroud Head prevents accidental operation. Button is flush with shroud surface and the diameter is 1 1/8 inches. Operating force 14 ounces.

| Description | Orifice Port (Body No.) | PB Color | Catalog Number | |
|--|----------------------------|----------|-------------------------|---------------------------------|
| | | | NPT Ports (USA Std.) | Metric Ports (European Std.) |
| 3 Way Spring Return  | 6mm 1/8 Port (1S) | Red | 75022-66-21 | 76022-66-21 |
| | | Black | 75022-66-23 | 76022-66-23 |
| | | Green | 75022-66-24 | 76022-66-24 |
| 4 Way Spring Return  | 6mm 1/8 Port (2S) | Red | 75023-66-41 | 76023-66-41 |
| | | Black | 75023-66-43 | 76023-66-43 |
| | | Green | 75023-66-44 | 76023-66-44 |



4 Way

3 Way

Operating pressure range is 35 to 145 PSI. Minimum operating pressure is 35 PSI. Actuation force @ 90 PSI, is approx. 14 ozs.
 Panel mounting hole is 7/8 inch (22mm) diameter. Above panel dimensions are 1.375" Dia. x 1" H. (Mushroom) or .625" H. (Shroud Head).
 Behind panel dimensions of 3 way valve – 3.75" D x 1.375" H x .75" W; 4 way valve – 4.25" D x 1.375" H x .75" W.
 Allow space for fittings and tubing.
 Valve through body mounting holes are 3/16" diameter.
For valve specifications see appendix. For detail dimensions contact factory.