



The following page(s) are extracted from multi-page Kuhnke product catalogues or CDROMs and any page number shown is relevant to the original document. The PDF sheets here may have been combined to provide technical information about the specific product(s) you have selected.

Hard copy product catalogues, and CDROMs have been published describing Kuhnke Pneumatics, Solenoids, Relays and Electronics; some divided into different books. A list of current publications is available on this web site or from our sales offices. Some may be available for download, but as substantially larger files.

Contact Details

Kuhnke sales and service in North America

Ellis/Kuhnke Controls
132 Lewis Street
Unit A-2, Eatontown
NJ 07724
USA

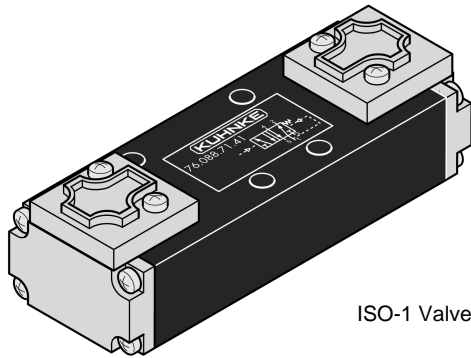
T: (800) 221 0714
T: (732) 291 3334
F: (732) 291 8154

Important Note

The information shown in these documents is for guidance only. No liability is accepted for any errors or omissions. The designer or user is solely responsible for the safe and proper application of the parts, assemblies or equipment described.

Directional Control Valves (4 Way), Pneumatic Actuation, ISO

Valves are constructed to the European ISO standard, fit on ISO manifolds or sub-plates and are interchangeable amongst manufacturers. Standard pneumatically operated valves are listed, for other types see notes below.

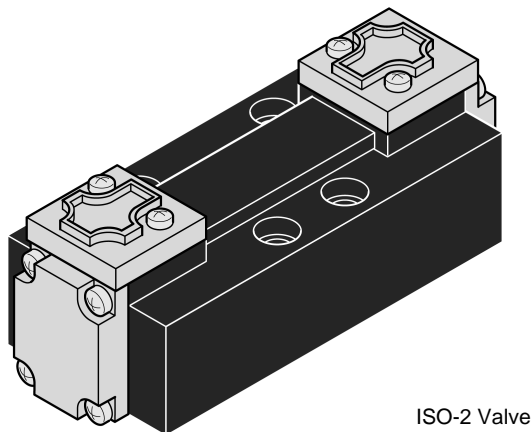


ISO-1 Valve

Description	Size	Catalog Number	
		Poppet Design	Spool Design
Single Air Pilot Spring Return * 	ISO-1	76087-71-41	76083-71-41
	ISO-2	76097-71-41	76093-71-41
Double Air Pilot With Detent 	ISO-1	76087-71-42	76083-71-42
	ISO-2	76097-71-42	76093-71-42
Double Air Pilot With Priority 	ISO-1	76087-71-47	76083-71-47
	ISO-2	76097-71-47	76093-71-47

3 Position Valves (4 Way), Pneumatic Actuation, ISO

Valves are constructed to the European ISO standard, fit on standard ISO manifolds or sub-plates.



ISO-2 Valve

Description	Size	Catalog Number	
		Poppet Design	Spool Design
Double Air Pilot All ports <i>open</i> in center position. 	ISO-1	(Not Available)	76084-71-28
	ISO-2	(Not Available)	76094-71-28
Double Air Pilot All ports <i>closed</i> in center position. 	ISO-1	(Not Available)	76084-71-38
	ISO-2	(Not Available)	76094-71-38

*Single air piloted valves have an air supported spring return. Actuation force must be equal to or greater than the pressure at port 1 (air supply). Single air piloted ISO 1 and ISO 2 valves are available with manual resets (ISO pump valves). A pneumatic "not/not" valve is also available. Contact factory for details.

For technical details of ISO valves contact factory. See accessory section for manifolds and sub bases.