



The following page(s) are extracted from multi-page Kuhnke product catalogues or CDROMs and any page number shown is relevant to the original document. The PDF sheets here may have been combined to provide technical information about the specific product(s) you have selected.

Hard copy product catalogues, and CDROMs have been published describing Kuhnke Pneumatics, Solenoids, Relays and Electronics; some divided into different books. A list of current publications is available on this web site or from our sales offices. Some may be available for download, but as substantially larger files.

Contact Details

Kuhnke sales and service in North America

Ellis/Kuhnke Controls
132 Lewis Street
Unit A-2, Eatontown
NJ 07724
USA

T: (800) 221 0714
T: (732) 291 3334
F: (732) 291 8154

Important Note

The information shown in these documents is for guidance only. No liability is accepted for any errors or omissions. The designer or user is solely responsible for the safe and proper application of the parts, assemblies or equipment described.

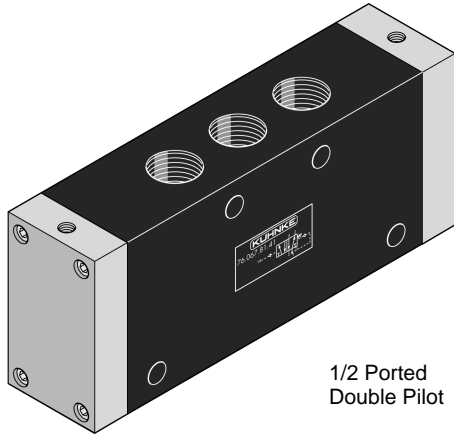
Pneumatically Operated Valves

General Purpose

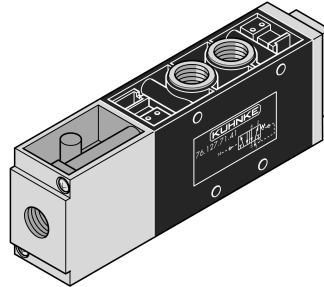
Kuhnke Power Valves

Directional Control Valves, (4 Way), Pneumatic Actuation

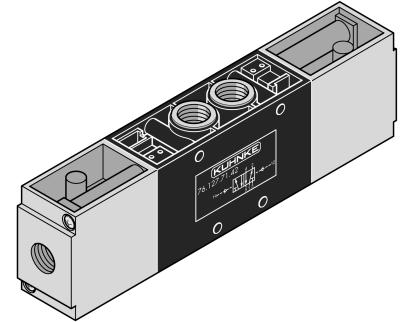
(Poppet Design, In Line Mounting)



1/2 Ported
Double Pilot



1/8 Ported
Single Pilot
Type 76127



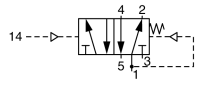
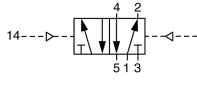
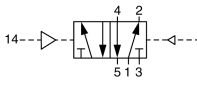
1/8 Ported
Double Pilot
Type 76127

Pneumatically operated poppet valves are available in single, double or with priority port actuators. The priority port design overrides the signal from the opposite pilot operator to insure return to home position.

Poppet valves rely on O rings and gaskets to seal passage ways within the valve and generally offer higher flow rates than other types of valves.

These valves are available in port sizes of 1/8, 1/4 and 1/2. Pilot ports are 1/8 for all size valves and require minimum of 35 PSI operating pressure. Single air pilot valves have an air supported spring return and require a pilot pressure equal to or greater than the air supply pressure at port 1.

Valves can be mounted using through body holes or assembled on manifolds.

Description	Orifice (Body No.)	Dimensions (Approx. inches) L x W x H	Port Size	Catalog Number	
				NPT Ports (USA Std.)	Metric Ports (European Std.)
Single Air Pilot Spring Return * 	6mm (10P)	4 1/4 x 1 1/8 x 1 5/8	1/8	75027-71-41	76027-71-41
	6mm (1MP)	4 7/8 x 1 x 1 5/8	1/8	(Not Available)	76127-71-41
	8mm (7P)	4 7/8 x 1 x 2	1/4	75047-81-41	76047-81-41
	15mm (12P)	6 3/4 x 1 5/8 x 2 3/4	1/2	75067-81-41	76067-81-41
Double Air Pilot With Detent 	6mm (10P)	4 1/4 x 1 1/8 x 1 5/8	1/8	75027-71-42	76027-71-42
	6mm (1MP)	5 3/8 x 1 x 1 5/8	1/8	(Not Available)	76127-71-42
	8mm (7P)	5 1/2 x 1 x 2	1/4	75047-81-42	76047-81-42
	15mm (12P)	6 3/4 x 1 5/8 x 2 3/4	1/2	75067-81-42	76067-81-42
Double Air Pilot With Priority Detent 	6mm (10P)	4 1/4 x 1 1/8 x 1 5/8	1/8	75027-71-47	76027-71-47
	6mm (1MP)	5 3/8 x 1 x 1 5/8	1/8	(Not Available)	76127-71-47
	8mm (7P)	5 1/2 x 1 x 2	1/4	75047-81-47	76047-81-47
	15mm (12P)	6 3/4 x 1 5/8 x 2 3/4	1/2	75067-81-47	76067-81-47

* Single air pilot valves have an air supported spring return. Actuation force must be equal to or greater than the pressure at port 1.

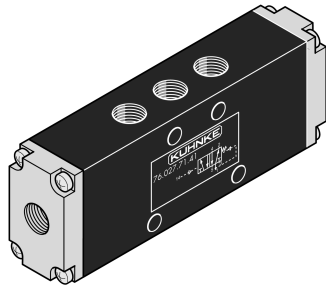
Pilot port size (for actuation): 1/8 for all size valves.

Operating pressure range 35 to 145 PSI. Actuation force (pilot pressure): 35 PSI minimum.

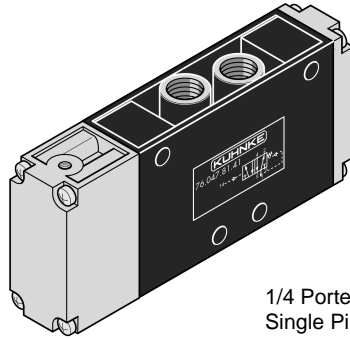
Mounting via 4 through body holes 3/16" Dia. (1/2" ported valves- 1/4" Dia.).

For valve specifications see appendix. See accessory section for manifolds if required. For detail dimensions contact factory.

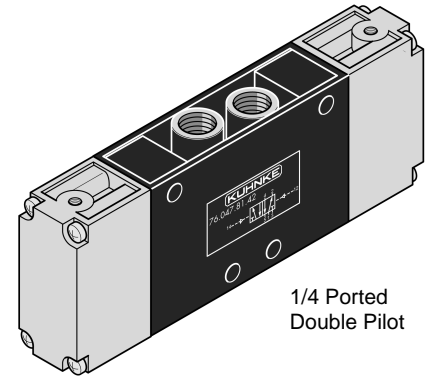
Directional Control Valves (4 Way), Pneumatic Actuation (Spool Design, In Line Mounting)



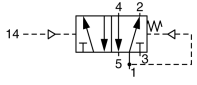
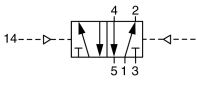
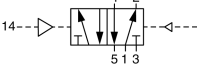
1/8 Ported
Single Pilot



1/4 Ported
Single Pilot



1/4 Ported
Double Pilot

Description	Orifice (Body No.)	Dimensions (Approx. inches) L x W x H	Port Size	Catalog Number	
				NPT Ports (USA Std.)	Metric Ports (European Std.)
Single Air Pilot Spring Return * 	6mm (8S)	4 1/4 x 1 1/8 x 1 5/8	1/8	75023-71-41	76023-71-41
	6mm (1MS)	4 7/8 x 1 x 1 5/8	1/8	(Not Available)	76123-71-41
	8mm (5S)	4 7/8 x 1 x 2	1/4	75043-81-41	76043-81-41
Double Air Pilot With Detent 	6mm (8S)	4 1/4 x 1 1/8 x 1 5/8	1/8	75023-71-42	76023-71-42
	6mm (1MS)	5 3/8 x 1 x 1 5/8	1/8	(Not Available)	76123-71-42
	8mm (5S)	5 1/2 x 1 x 2	1/4	75043-81-42	76043-81-42
Double Air Pilot With Priority Detent 	6mm (8S)	4 1/4 x 1 1/8 x 1 5/8	1/8	75023-71-47	76023-71-47
	6mm (1MS)	5 3/8 x 1 x 1 5/8	1/8	(Not Available)	76123-71-47
	8mm (5S)	5 1/2 x 1 x 2	1/4	75043-81-47	76043-81-47

Spool valves rely on a stainless steel spool moving within a sleeve to direct flow to the ports of the valve. Spool designs are known for their long life capability. Available in single, double or with priority port actuators. The priority port design overrides the signal from the opposite pilot operator to insure return to home position. Pneumatically actuated spool valves are available in 1/8 and 1/4 port sizes and require a minimum of 35 PSI operating pressure. Valves can be mounted individually using through body holes or assembled on manifolds.

* Single air pilot valves have an air supported spring return. Actuation force must be equal to or greater than the pressure at port 1. Pilot port size (for actuation): 1/8 for all size valves. Operating pressure range 35 to 145 PSI. Actuation force (pilot pressure): 35 PSI minimum. Mounting via 4 through body holes 3/16" Dia.

For valve specifications see appendix. See accessory section for manifolds if required. For detail dimensions contact factory.