



The following page(s) are extracted from multi-page Kuhnke product catalogues or CDROMs and any page number shown is relevant to the original document. The PDF sheets here may have been combined to provide technical information about the specific product(s) you have selected.

Hard copy product catalogues, and CDROMs have been published describing Kuhnke Pneumatics, Solenoids, Relays and Electronics; some divided into different books. A list of current publications is available on this web site or from our sales offices. Some may be available for download, but as substantially larger files.

Contact Details

Kuhnke sales and service in North America

Ellis/Kuhnke Controls
132 Lewis Street
Unit A-2, Eatontown
NJ 07724
USA

T: (800) 221 0714
T: (732) 291 3334
F: (732) 291 8154

Important Note

The information shown in these documents is for guidance only. No liability is accepted for any errors or omissions. The designer or user is solely responsible for the safe and proper application of the parts, assemblies or equipment described.

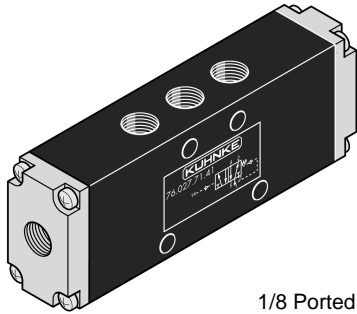
Pneumatically Operated Valves

General Purpose

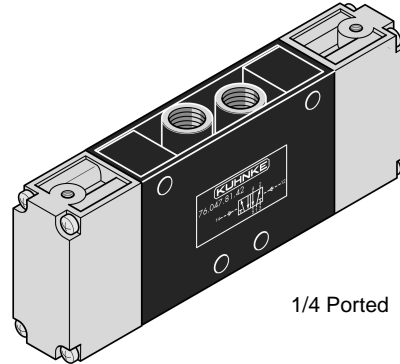
Kuhnke Power Valves

3 Position Valves, (4 Way), Pneumatic Actuation

(Spool Design, In Line Mounting)



1/8 Ported



1/4 Ported

Three position spool valves are used mostly to position cylinders. Valves with all ports open in the center position allow the cylinder piston rod to move freely, while valves with all ports closed in the center position will hold the cylinder in the desired position when no pilot pressure is present. A third type keeps line pressure on both sides of the cylinder piston.

Pneumatically actuated spool valves are available in 1/8 and 1/4 port sizes and require a minimum of 35 PSI operating pressure.

Valves can be mounted with through body holes or assembled on manifolds.

Description	Orifice (Body No.)	Dimensions (Approx. inches) L x W x H	Port Size	Catalog Number	
				NPT Ports (USA Std.)	Metric Ports (European Std.)
Double Air Pilot All ports <i>open</i> in center position. 	6mm (8S)	4 1/4 x 1 1/8 x 1 5/8	1/8	75024-71-28	76024-71-28
	6mm (1MS)	5 3/8 x 1 x 1 5/8	1/8	(Not Available)	76124-71-28
	8mm (5S)	5 1/2 x 1 x 2	1/4	75044-81-28	76044-81-28
Double Air Pilot All ports <i>closed</i> in center position. 	6mm (8S)	4 1/4 x 1 1/8 x 1 5/8	1/8	75024-71-38	76024-71-38
	6mm (1MS)	5 3/8 x 1 x 1 5/8	1/8	(Not Available)	76124-71-38
	8mm (5S)	5 1/2 x 1 x 2	1/4	75044-81-38	76044-81-38
Double Air Pilot Working ports 2-4 <i>pressurized</i> in center position. 	6mm (8S)	4 1/4 x 1 1/8 x 1 5/8	1/8	75024-71-58	76024-71-58
	--	--	--	--	--
	--	--	--	--	--

Pilot port size (for actuation): 1/8 for all size valves.

Operating pressure range 35 to 145 PSI. Actuation force (pilot pressure): 35 PSI minimum.

Mounting via 4 through body holes 3/16" Dia.

For valve specifications see appendix. See accessory section for manifolds if required. For detail dimensions contact factory.