



The following page(s) are extracted from multi-page Kuhnke product catalogues or CDROMs and any page number shown is relevant to the original document. The PDF sheets here may have been combined to provide technical information about the specific product(s) you have selected.

Hard copy product catalogues, and CDROMs have been published describing Kuhnke Pneumatics, Solenoids, Relays and Electronics; some divided into different books. A list of current publications is available on this web site or from our sales offices. Some may be available for download, but as substantially larger files.

Contact Details

Kuhnke sales and service in North America

Ellis/Kuhnke Controls
132 Lewis Street
Unit A-2, Eatontown
NJ 07724
USA

T: (800) 221 0714
T: (732) 291 3334
F: (732) 291 8154

Important Note

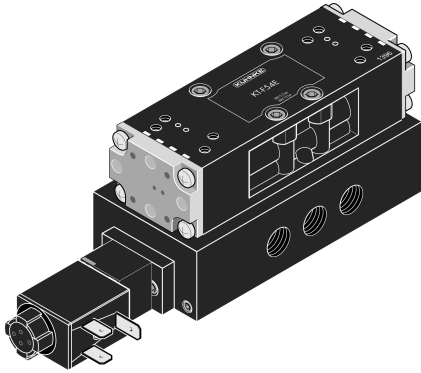
The information shown in these documents is for guidance only. No liability is accepted for any errors or omissions. The designer or user is solely responsible for the safe and proper application of the parts, assemblies or equipment described.

Electrically Operated Valves

Special Applications

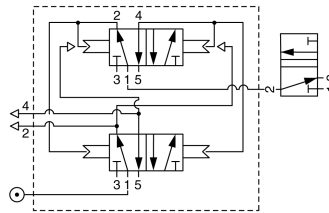
Kuhnke Power Valves

Solenoid Operated Flip Flop Valve



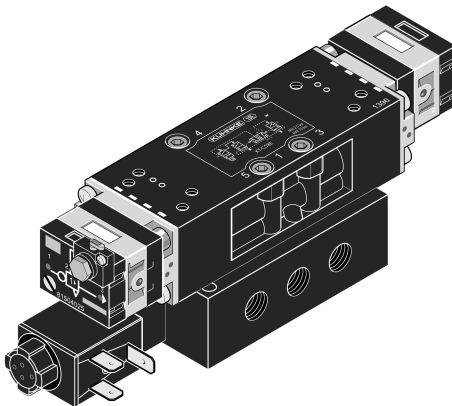
75083-89-00 NPT Ports
76083-89-00 Metric Ports

The Monostable Flip-Flop valve provides a 4 way switched output from an electrical pulse signal of at least 300 ms in length. When the solenoid is energized, the valve output position changes. The valve maintains position until the next electrical pulse signal is applied. Minimum operating pressure 35 PSI.



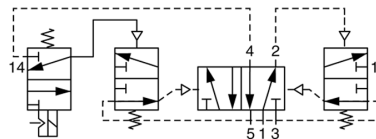
Port Size- 1/4
Orifice- 8mm
Body No.- 5S
Dimensions-
6 1/2" L x 2" W x 2 3/8" H.

Solenoid Operated Oscillator Valve



75083-90-00 NPT Ports
76083-90-00 Metric Ports

Valve can be used to oscillate a double acting cylinder. Applications include mixing, stirring or sawing devices where time critical cycling is not required. While the solenoid is energized, the valve oscillates. Speed is dependent on connected volume and line pressure, and can be controlled by the addition of flow control valves on the cylinder input ports. Typical speed is 16 cycles per minute at 90 PSI. Minimum operating pressure 35 PSI.



Port Size- 1/8
Orifice- 6mm
Body No.- 8S
Dimensions-
6 3/4" L x 2" W x 2 1/8" H.

Order Coils Separately

See inset chart on page 47 for catalog numbers.

Operating pressure range 35 to 145 PSI. Actuation force (pilot pressure): 35 PSI minimum.

Pilot port size is 1/8. Mounting via 4 through body holes 3/16" Dia.

Oscillator valve will not operate if applied on vented applications such as an air gun. Working ports must have a connected defined volume.

For valve specifications see appendix. For detail dimensions contact factory.