



The following page(s) are extracted from multi-page Kuhnke product catalogues or CDROMs and any page number shown is relevant to the original document. The PDF sheets here may have been combined to provide technical information about the specific product(s) you have selected.

Hard copy product catalogues, and CDROMs have been published describing Kuhnke Pneumatics, Solenoids, Relays and Electronics; some divided into different books. A list of current publications is available on this web site or from our sales offices. Some may be available for download, but as substantially larger files.

Contact Details

Kuhnke sales and service in North America

Ellis/Kuhnke Controls
132 Lewis Street
Unit A-2, Eatontown
NJ 07724
USA

T: (800) 221 0714
T: (732) 291 3334
F: (732) 291 8154

Important Note

The information shown in these documents is for guidance only. No liability is accepted for any errors or omissions. The designer or user is solely responsible for the safe and proper application of the parts, assemblies or equipment described.

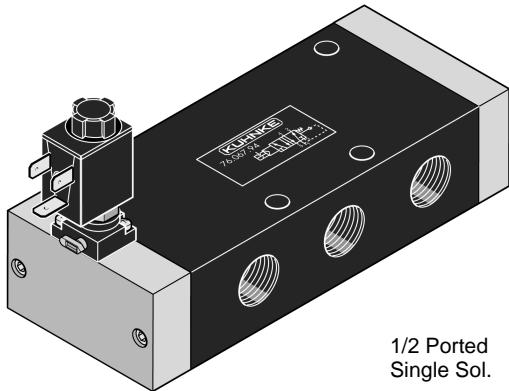
Electrically Operated Valves

General Purpose

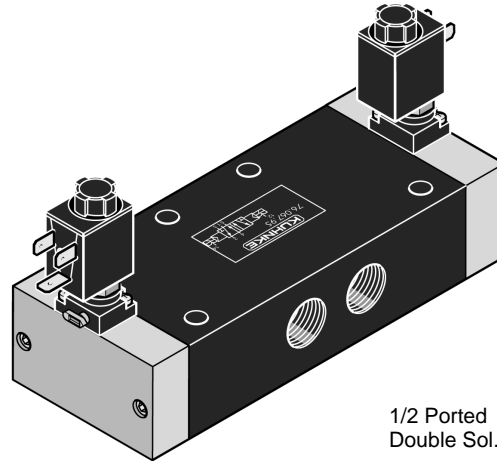
Kuhnke Power Valves

Directional Control Valves (4 Way), Solenoid Operated

(Poppet Design, Flat Mounting)

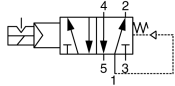
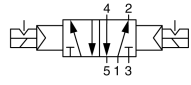
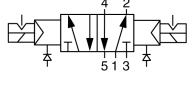


1/2 Ported
Single Sol.



1/2 Ported
Double Sol.

Valves have the same features as In-Line Directional Control valves on page 42, but are designed for mounting on flat surfaces.

Description	Orifice (Body No.)	Dimensions (Approx. inches) L x W x H	Port Size	Catalog Number	
				NPT Ports (USA Std.)	Metric Ports (European Std.)
Single Solenoid Spring Return- air assisted 	6mm (10P)	4 1/4 x 1 5/8 x 3 3/8	1/8	75027-94-00	76027-94-00
	8mm (7P)	4 7/8 x 2 x 3 1/4	1/4	75047-94-00	76047-94-00
	15mm (12P)	7 1/4 x 2 3/4 x 3 7/8	1/2	75067-94-00	76067-94-00
Double Solenoid With Detent 	6mm (10P)	4 1/4 x 1 5/8 x 3 3/8	1/8	75027-95-00	76027-95-00
	8mm (7P)	5 1/2 x 2 x 3 1/4	1/4	75047-95-00	76047-95-00
	15mm (12P)	7 5/8 x 2 3/4 x 3 7/8	1/2	75067-95-00	76067-95-00
Double Solenoid External Air Pilot * Detent 	--	--	--	--	--
	15mm (12P)	7 5/8 x 2 3/4 x 3 7/8	1/2	75367-95-00	76367-95-00

Order Coils Separately

Valve catalog numbers do not include solenoid coils. Coils are supplied loose and unmounted as separate items. (Double solenoid types require 2 coils.)

AC Coil Catalog No. 76410-02-**
 DC Coil Catalog No. 76410-00-**

** - Add the required coil voltage suffix code from the chart below to complete the coil catalog number.

Voltage	AC	DC
12V	-	01
24V	12	02
48V	13	03
110V	14	04
230V	15	05

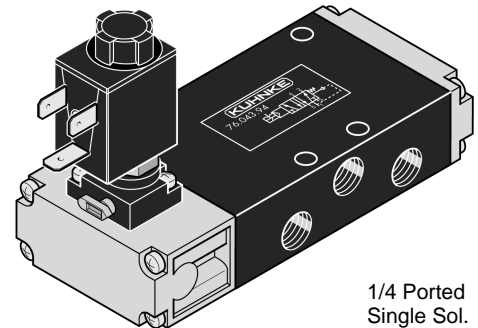
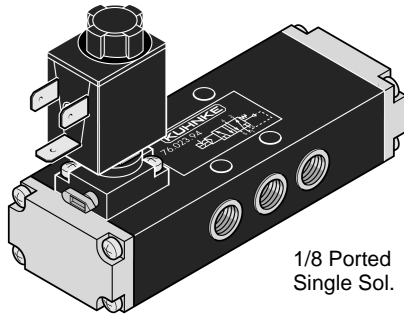
* External Air Pilot: valves have an auxiliary 10-32 port for connecting a separate air pilot supply for the solenoid section. For use when switching air pressures below 35 PSI.

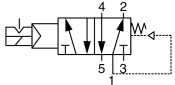
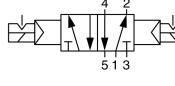
Operating pressure range is 35 to 145 PSI. (Use valves with external pilot for switching lower pressures).

Through body mounting holes are 3/16" for 1/8 and 1/4 ported valves, 1/4 " for 1/2 ported valves.

For valve specifications see appendix. See accessory section for electrical connectors. For detail dimensions contact factory.

Directional Control Valves (4 Way), Solenoid Operated (Spool Design, Flat Mounting)



Description	Orifice (Body No.)	Dimensions (Approx. inches) L x W x H	Port Size	Catalog Number	
				NPT Ports (USA Std.)	Metric Ports (European Std.)
Single Solenoid Spring Return-air assisted 	6mm (8S)	4 1/4 x 1 5/8 x 3 3/8	1/8	75023-94-00	76023-94-00
	8mm (5S)	4 7/8 x 2 x 3 1/4	1/4	75043-94-00	76043-94-00
	--	--	--	--	--
Double Solenoid With Detent 	6mm (8S)	4 1/4 x 1 5/8 x 3 3/8	1/8	75023-95-00	76023-95-00
	8mm (5S)	5 1/2 x 2 x 3 1/4	1/4	75043-95-00	76043-95-00
	--	--	--	--	--

Valves have the same features as In-Line Directional Control Valves on page 43, but are designed for mounting on flat surfaces.

Order Coils Separately

Valve catalog numbers do not include solenoid coils. Coils are supplied loose and unmounted as separate items. (Double solenoid types require 2 coils.)

AC Coil Catalog No. 76410-02--**
DC Coil Catalog No. 76410-00--**

** - Add the required coil voltage suffix code from the chart below to complete the coil catalog number.

<u>Voltage</u>	<u>AC</u>	<u>DC</u>
12V	-	01
24V	12	02
48V	13	03
110V	14	04
230V	15	05

Operating pressure range is 35 to 145 PSI.
 Through body mounting holes are 3/16".

For valve specifications see appendix. See accessory section for electrical connectors. For detail dimensions contact factory.