



The following page(s) are extracted from multi-page Kuhnke product catalogues or CDROMs and any page number shown is relevant to the original document. The PDF sheets here may have been combined to provide technical information about the specific product(s) you have selected.

Hard copy product catalogues, and CDROMs have been published describing Kuhnke Pneumatics, Solenoids, Relays and Electronics; some divided into different books. A list of current publications is available on this web site or from our sales offices. Some may be available for download, but as substantially larger files.

## Contact Details

Kuhnke sales and service in North America

Ellis/Kuhnke Controls  
132 Lewis Street  
Unit A-2, Eatontown  
NJ 07724  
USA

T: (800) 221 0714  
T: (732) 291 3334  
F: (732) 291 8154

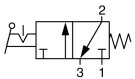
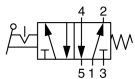
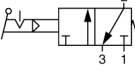
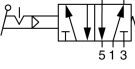
### Important Note

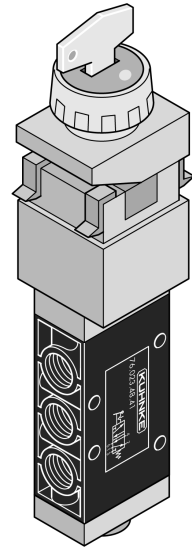
The information shown in these documents is for guidance only. No liability is accepted for any errors or omissions. The designer or user is solely responsible for the safe and proper application of the parts, assemblies or equipment described.

---

### Key Operated 2 Position Selector

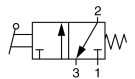
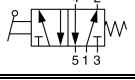
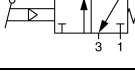
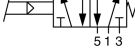
Key provides security for locking off air supply to equipment.

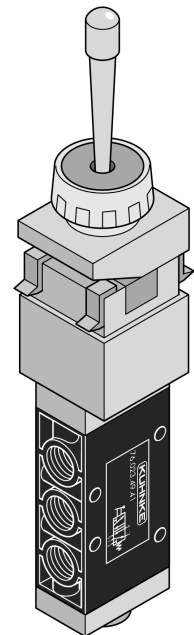
Description	Orifice (Body No.)	Port Size	Catalog Number	
			NPT Ports (USA Std.)	Metric Ports (European Std.)
<b>3 Way</b> Normally Closed Maintained Position	 6mm (1S)	1/8	75022-48-21	76022-48-21
<b>4 Way</b> Maintained Position	 6mm (2S)	1/8	75023-48-41	76023-48-41
<b>3 Way</b> <b>Air Pilot Assisted</b> Normally Closed Maintained Position	 6mm (1S)	1/8	75022-58-21	76022-58-21
<b>4 Way</b> <b>Air Pilot Assisted</b> Maintained Position	 6mm (2S)	1/8	75023-58-41	76023-58-41



### Wobble Stick

Moving stick in any direction operates valve. Spring return to off.

Description	Orifice (Body No.)	Port Size	Catalog Number	
			NPT Ports (USA Std.)	Metric Ports (European Std.)
<b>3 Way</b> Normally Closed Spring Return	 6mm (1S)	1/8	75022-49-21	76022-49-21
<b>4 Way</b> Spring Return	 6mm (2S)	1/8	75023-49-41	76023-49-41
<b>3 Way</b> <b>Air Pilot Assisted</b> Normally Closed Spring Return	 6mm (1S)	1/8	75022-59-21	76022-59-21
<b>4 Way</b> <b>Air Pilot Assisted</b> Spring Return	 6mm (2S)	1/8	75023-59-41	76023-59-41



See page 14 for general information on miniature oil tight pushbutton valves.

Operating pressure range std. type- 0-145 PSI; air piloted types minimum 35 PSI. Actuation force: std. - 7.9 lbs., air pilot assisted types 1.8 lbs. Above panel dim. are 1.125" dia. x .5" H (key) or 2.75" H (wobble). Behind panel dimensions are 4" (3 way), 4.5" (4 way) D. x 1.375" H x .75 W.

**For valve specifications see appendix. For detail dimensions contact factory.**