



The following page(s) are extracted from multi-page Kuhnke product catalogues or CDROMs and any page number shown is relevant to the original document. The PDF sheets here may have been combined to provide technical information about the specific product(s) you have selected.

Hard copy product catalogues, and CDROMs have been published describing Kuhnke Pneumatics, Solenoids, Relays and Electronics; some divided into different books. A list of current publications is available on this web site or from our sales offices. Some may be available for download, but as substantially larger files.

Contact Details

Kuhnke sales and service in North America

Ellis/Kuhnke Controls
132 Lewis Street
Unit A-2, Eatontown
NJ 07724
USA

T: (800) 221 0714
T: (732) 291 3334
F: (732) 291 8154

Important Note

The information shown in these documents is for guidance only. No liability is accepted for any errors or omissions. The designer or user is solely responsible for the safe and proper application of the parts, assemblies or equipment described.

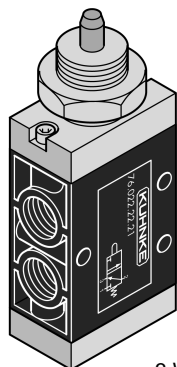
Mechanically Operated Valves

Plunger Operators

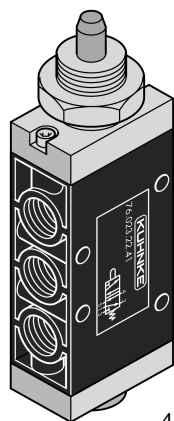
Kuhnke Power Valves

Plunger Operated, Nose Mount

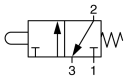
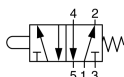
Depressing plunger operates valve. Used to detect material position or as an end of travel valve. Plunger travel approx. 3/16 inch (5mm). Actuating force is 7.9 Lbs.



3 Way



4 Way

Description	Orifice (Body No.)	Port Size	Catalog Number	
			NPT Ports (USA Std.)	Metric Ports (European Std.)
3 Way Norm. Closed Spring Return 	6mm (1S)	1/8	75022-22-21	76022-22-21
4 Way Spring Return 	6mm (2S)	1/8	75023-22-41	76023-22-41

Operating pressure range 0-145 PSI. Actuation force @ 90 PSI, is approx. 7.9 Lbs.

For normally open function on 3 way valve, reverse connect ports 1-3. For 2 way operation, plug port 3.

Typical valve body dimensions are 2.5" L (3 way), 3.15" L (4 way) x 1.375" H x .75" W. Mounting hole 5/8" diameter.

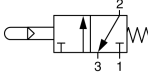
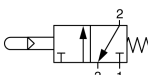
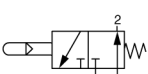
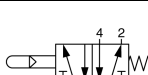
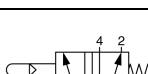

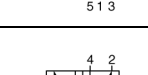
Through body mounting holes 3/16" dia.

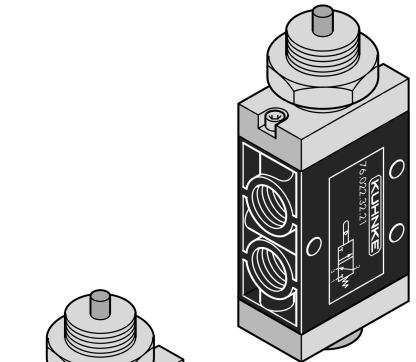
Plunger diameter is .25" and extends .875" from valve body. Plunger travel is .1875" +/- .04".

For valve specifications see appendix. For detail dimensions contact factory.

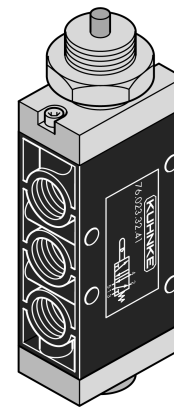
Plunger Operated, Air Pilot Assist, Nose Mount

Can be used as a door closed switch, material position detector or an end of travel detector. A double plunger is available which can be used on machine carriages to reverse direction of travel. Air pilot assist reduces actuation force to 1.8 lbs., minimum supply pressure 35 PSI.

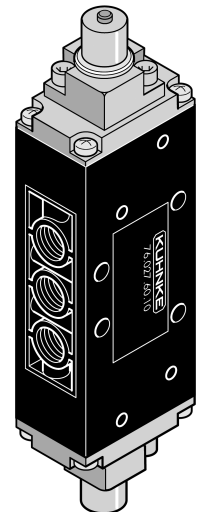
Description	Orifice (Body No.)	Port Size	Catalog Number	
			NPT Ports (USA Std.)	Metric Ports (European Std.)
3 Way Norm. Closed Spring Return 	6mm (1S)	1/8	75022-32-21	76022-32-21
3 Way Norm. Closed Spring Return 	8mm (6P)	1/4	75046-60-21	76046-60-21
3 Way Norm. Open Spring Return 	8mm (6P)	1/4	75046-60-31	76046-60-31
4 Way Spring Return 	6mm (2S)	1/8	75023-32-41	76023-32-41
4 Way Spring Return 	8mm (7P)	1/4	75047-60-41	76047-60-41
4 Way Plunger on Both Ends (Maintained) 	6mm (10P)	1/8	75027-60-10	76027-60-10
4 Way Plunger on Both Ends (Maintained) 	8mm (7P)	1/4	75047-60-10	76047-60-10



3 Way
1/8 Ports



4 Way
1/8 Ports



4 Way Plunger
On Both Ends

Operating pressure range is 35-145 PSI. Actuation force @ 90 PSI, is approx. 1.8 Lbs.
 Approximate valve body dimensions for 1/8 ported valves are 3.5" L (4 way body no. 2S) x 1.375" H x .75" W. For body no. 10P- 4.75" L x 2" H x 1" W. Approximate dimensions for 1/4 ported valves are 4.75" L x 2" H x 1" W. Mounting hole 5/8" diameter.
 Plunger diameter 5/32" and extends .625" from valve body. Plunger travel is .125".
For valve specifications see appendix. For detail dimensions contact factory.