

The following page(s) are extracted from multi-page Kuhnke product catalogues or CDRoms and any page number shown is relevant to the original document. The PDF sheets here may have been combined to provide technical information about the specific product(s) you have selected.

Hard copy product catalogues, and CDRoms have been published describing Kuhnke Pneumatics, Solenoids, Relays and Electronics; some divided into different books. A list of current publications is available on this web site or from our sales offices. Some may be available for download, but as substantially larger files.

Contact Details

Kuhnke sales and service in North America

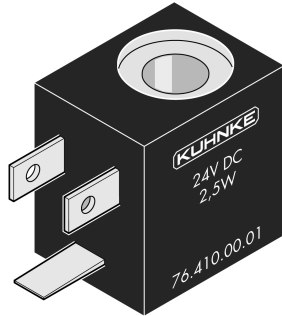
Kuhnke
Automation Inc.
P.O Box 1369
Wayne, N.J.

T: (973) 633 0690
F: (973) 633 7230
Email: sales@kuhnkeusa.com

Important Note

The information shown in these documents is for guidance only. No liability is accepted for any errors or omissions. The designer or user is solely responsible for the safe and proper application of the parts, assemblies or equipment described.

Standard Solenoid Coils

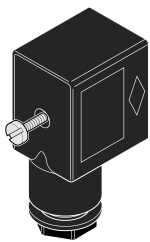


Standard coils fit all general purpose solenoid valves, except ISO valves with CNOMO air pilots. Coils are encapsulated to keep out water, oil and other contaminants providing splash proof protection when used with sockets below. The 3-prong plug includes a ground connection for the coil frame. Terminals can also be connected using crimp-on wire terminals with a ¼" spade dimension. Coil power consumption: AC (60Hz) is 3.5VA, DC is 2.5 W.

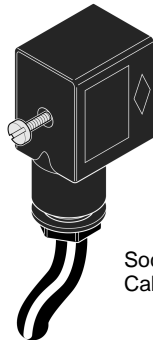
For electrical characteristics of solenoids see valve specifications in the appendix.

Voltage	Catalog Number	
	AC	DC
12	--	76410-00-01
24	76410-02-12	76410-00-02
48	76410-02-13	76410-00-03
110	76410-02-14	76410-00-04
230	76410-02-15	76410-00-05

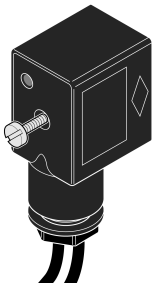
Electrical Connectors



Socket



Socket with Cable



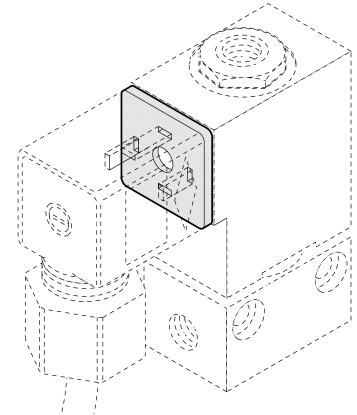
Socket with Cable and LED/Surge Suppressor

Plug in sockets are constructed of a flame resistant, black molded material and include a sealing ring which provides splash proof protection (NEMA 12, IP65). The socket has screw terminals for a maximum wire size of No. 12 stranded (.75mm²). Maximum cable size for sealing ring is 5/16 inch.

Description	Catalog No.
Socket Only	65495-00
Pre Wired Socket with 9 ft cable (3 meter)	65495-01
Pre Wired Socket 9 ft. cable (3 meter) with built in yellow LED and surge suppressor for 24V AC or DC Max.	65495-02

Luminous Seal/Surge Suppressor

The luminous seal design provides surge suppression, a visual indication of valve on/off state, and forms a seal between coil and socket. Unit has 2 green LED's and a diode bridge, encapsulated in a poly-urethane/silicone material. The seal is approx. 1/8" thick and is sandwiched between coil and socket.



Coil Voltage (AC or DC)	Catalog No.
12 to 24V	65553-00
42 to 48V	65553-01
110 to 120V	65553-02
220 to 230V	65553-03

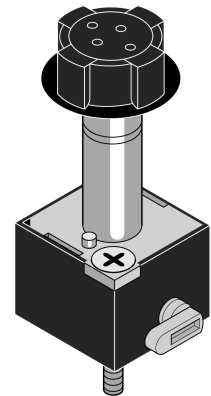
Replacement Air Pilot Valve

Catalog No. **76136-01-00**

Fits all standard valves except ISO valves with CNOMO air pilots and coils.

The 3 way pilot valve section of standard solenoid-operated valves can also be used as a remote air pilot valve when mounted on a sub base or manifold shown below. The valve has an orifice of 1mm and a flow of approximately 2 CFM at 90 PSI. Operating pressure range is 0-145 PSI. The valve includes a red lever for manual operation. Also available in a normally *open* version, catalog number **76136-02-00**.

Order coils separately from the chart on the opposite page.



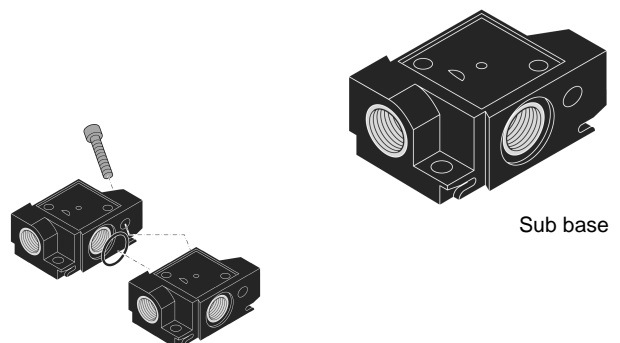
Air Pilot Valve Sub base / Manifold

Sub base with 1/8 metric port- **76420-03-01**

Sub base with push-in fitting for 5/32 tubing- **76420-03-02**

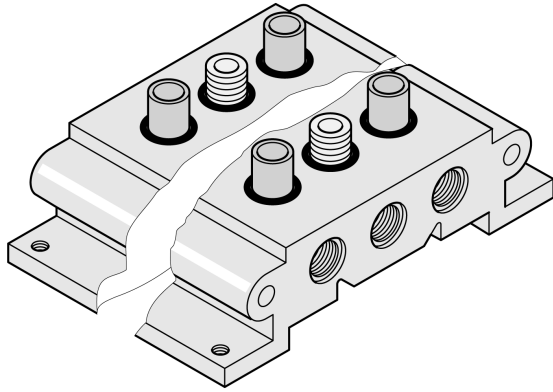
Valves can be mounted on sub base for remote piloting of pneumatically operated valves or used as stand alone 3 way valves. Air pilot section is fastened to sub base with 2 included screws. Base can be mounted on a surface using (2) 5/32" through body holes. Dimensions are 1 5/8" L x 1 1/8" W. With valve mounted, the height is 2 7/8".

Modular manifolds can be constructed using this base design to centralize valves with a common input air supply. Contact factory for details.

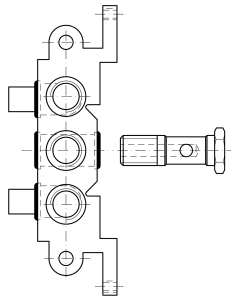


Modular Manifold System

Standard Manifold Kits



Two sizes of manifold kits are available (1/8 and 1/4 ported) for standard directional control valves, pneumatically or electrically operated (4 way, In-Line type, 2 or 3 position, except valve types 76123, 76124, 76127). Manifolds are single piece aluminum bases with common supply and exhaust ports on each end (1/8 or 1/4 metric respectively). For NPT supply ports, order supply line adaptor kit separately. Manifold kits include all valve mounting hardware, which accommodates both NPT, or Metric ported versions of valves. A hollow bolt is used to connect the valve to the base and supply the line air pressure. Two brass sleeves, sealed with O-rings, connect the exhaust ports. If a valve station is unoccupied (for future use), a blanking bar kit must be used to block manifold ports. Manifolds can be fastened down by 4 threaded M5 holes. Two or more 1/8 ported manifolds can be linked together with the use of connecting nipples and threaded tie rods (up to 3/16" dia.) using the through body holes on the sides of the manifold to increase the number of stations.



Valve Station
Hardware Assembly

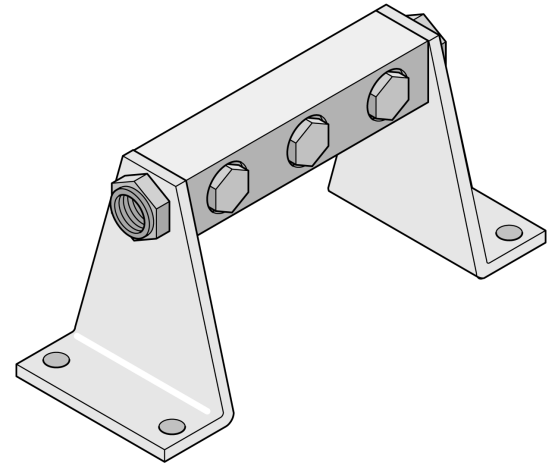
Number of Stations	For 1/8 Ported Valves		For 1/4 Ported Valves	
	Dimensions 4" W. x 1 1/8" H x L Dim. Below	Catalog Number	Dimensions 4" W. x 1 1/8" H x L Dim. Below	Catalog Number
1	1 3/8"	76420-02-01	1 5/8"	76440-02-01
2	2 1/2"	76420-02-02	2 3/4"	76440-02-02
3	3 5/8"	76420-02-03	3 3/4"	76440-02-03
4	4 3/4"	76420-02-04	4 7/8"	76440-02-04
5	5 7/8"	76420-02-05	5 7/8"	76440-02-05
6	7"	76420-02-06	6 7/8"	76440-02-06
7	8 1/8"	76420-02-07	8"	76440-02-07
8	9 1/4"	76420-02-08	9"	76440-02-08
9	10 3/8"	76420-02-09	10"	76440-02-09
10	11 1/2"	76420-02-10	11"	76440-02-10

Manifold Accessories

	Catalog Number	
	<u>1/8 Ported</u>	<u>1/4 Ported</u>
Supply line NPT adaptor kit (3 Plugs, 3 Adapters)	75420-00-97	75440-00-97
Spare set of valve mounting hardware (for one station)	76420-00-34	76420-00-35
Blanking Bar Kit for empty station	76420-00-46	76420-00-47
Linking nipples (3), for connecting 1/8 manifolds together	76420-00-48	--

Common Input Manifolds

Two sizes of common input manifolds are available. Manifolds are aluminum bars, predrilled and tapped; with common 1/4 metric supply ports on each end. For NPT supply ports, order supply line adaptor kit separately. Manifold kits include valve mounting hardware, which accommodates both NPT, or Metric ported versions of valves. A hollow bolt is used to connect the valve to the bar and supply the line air pressure. Optional mounting bracket kits for supporting the manifold are available in 2 heights to accommodate the size of valves used.



Number of Stations	For 1/8 Ported Valves		For 1/4 Ported Valves	
	Dimensions 13/16" Sq. x L Dim. Below	Catalog Number	Dimensions 13/16" Sq. x L Dim. Below	Catalog Number
2	3 3/4"	76420-01-02	3 3/4"	76440-01-02
3	5"	76420-01-03	5"	76440-01-03
4	6 1/4"	76420-01-04	6 1/4"	76440-01-04
5	7 1/2"	76420-01-05	7 1/2"	76440-01-05
6	8 3/4"	76420-01-06	8 3/4"	76440-01-06
7	10"	76420-01-07	10"	76440-01-07
8	11 1/4"	76420-01-08	11 1/4"	76440-01-08
9	12 1/2"	76420-01-09	12 1/2"	76440-01-09
10	13 3/4"	76420-01-10	13 3/4"	76440-01-10

Manifold Accessories

Supply line 1/4 NPT adaptor kit (1 Plug, 1 Adapter)	75440-00-99
Spare set of 1/8 valve mounting hardware (set of 3)	76420-00-34
Spare set of 1/4 valve mounting hardware (set of 3)	76420-00-35
Mounting Bracket Kit 2 3/8" High (For 1/8 ported valves)	76420-00-09
Mounting Bracket Kit 5 1/2" High (For 1/8 or 1/4 ported valves)	76440-00-10

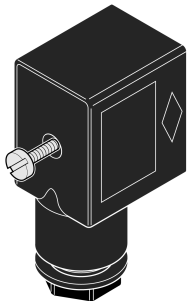
ISO (CNOMO) Solenoid Replacement Coils



For use on ISO valves with CNOMO air pilots.

Voltage	Catalog Number	
	AC	DC
12	--	76411-00-01
24	76411-02-12	76411-00-02
48	76411-02-13	76411-00-03
110	76411-02-14	76411-00-04
230	76411-02-15	76411-00-05

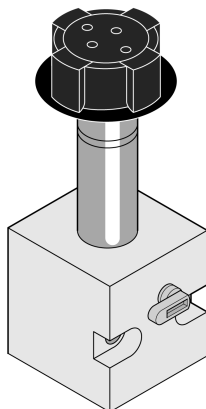
Plug-in Sockets for ISO valves with (CNOMO) Coils



Maximum wire size No. 12 stranded, max. cable diameter for plug sealing ring is 5/16 inch.

Description	Catalog No.
Socket Only	67499-00
Pre Wired Socket with 9 ft cable (3 meter)	67499-01
Pre Wired Socket 9 ft. cable (3 meter) with built in yellow LED and surge suppressor for 24V AC or DC Max.	67499-02

Replacement Air Pilot Valve (CNOMO)



Catalog No. **76136-21-00**

Valve has mounting holes according to CNOMO standards. Operating pressure range is 0-145 PSI.

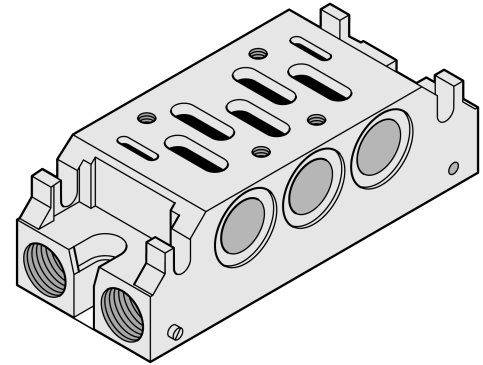
Order coils separately from the chart above.

ISO Sub bases and Manifolds

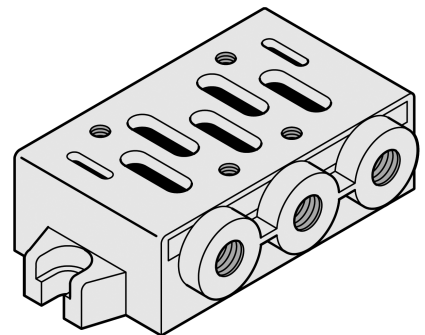
- Sub base ISO 1 **76420-00-11**
- Sub base ISO 2 **76420-00-12**
- Manifold Section ISO 1 **76420-00-13**
- Manifold Section ISO 2 **76420-00-14**

Manifold sections can be used to extend existing systems. Units include the necessary hardware for mounting. Sub bases can be used to individually mount ISO valves.

For a complete list of components including headers, interconnecting parts, blanking plates and hardware for new ISO valve installations, contact the factory.



ISO Manifold Section



ISO Sub Base

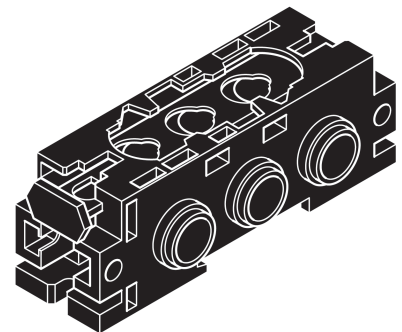
Manifold Components for Molded Valves

(For Valves 76123-xx, 76124-xx, 76127-xx)

- Add on Manifold Section **76420-00-01**

Additional manifold sections can be used to add valves to existing systems. This molded base system is used for valve types 76123, 76124, 76127 and is constructed of a black molded material. Manifold section includes 3 linking elements for mounting valve in place.

For a complete list of components for new valve installations contact the factory.



Replacement Operators for Manual/Mechanical Valves

- 76136-60-00** Air piloted plunger actuator set
- 76136-63-00** Air piloted antenna actuator set
- 76136-64-00** Air piloted shrouded head pushbutton actuator set
- 76136-67-00** Air piloted Mushroom head pushbutton actuator set