

The following page(s) are extracted from multi-page Kuhnke product catalogues or CDRoms and any page number shown is relevant to the original document. The PDF sheets here may have been combined to provide technical information about the specific product(s) you have selected.

Hard copy product catalogues, and CDRoms have been published describing Kuhnke Pneumatics, Solenoids, Relays and Electronics; some divided into different books. A list of current publications is available on this web site or from our sales offices. Some may be available for download, but as substantially larger files.

## Contact Details

Kuhnke sales and service in North America

Kuhnke  
Automation Inc.  
P.O Box 1369  
Wayne, N.J.

T: (973) 633 0690  
F: (973) 633 7230  
Email: [sales@kuhnkeusa.com](mailto:sales@kuhnkeusa.com)

### Important Note

The information shown in these documents is for guidance only. No liability is accepted for any errors or omissions. The designer or user is solely responsible for the safe and proper application of the parts, assemblies or equipment described.

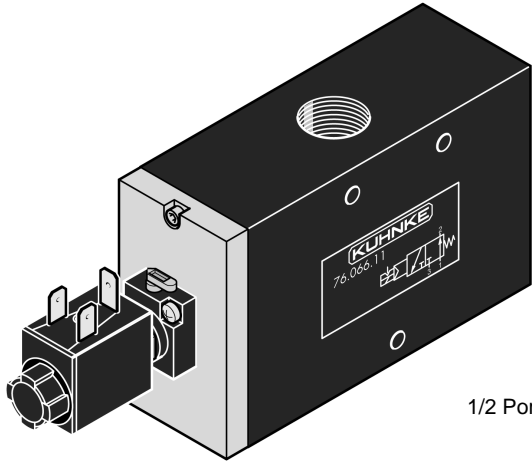
---

# Electrically Operated Valves

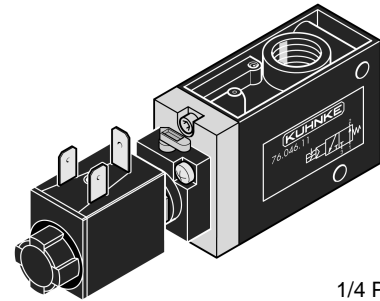
## General Purpose

Kuhnke Power Valves

### 3 Way Solenoid Valves



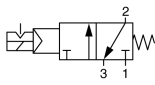
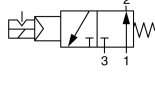
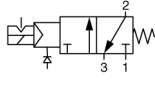
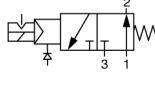
1/2 Ported



1/4 Ported

Three way poppet design valves are solenoid operated, air pilot assisted. Valves include a red manual override lever for easy testing of pneumatic circuits. Coils are encapsulated for long life.

Available in standard versions, or with a port for external air supply used for switching pressures below 35 PSI.

Description	Orifice (Body No.)	Dimensions (Approx. inches) L x W x H	Port Size	Catalog Number	
				NPT Ports (USA Std.)	Metric Ports (European Std.)
<b>Normally Closed</b> Spring Return 	6mm (9P)	4 7/8 x 1 x 1 1/2	1/8	75026-01-00	76026-01-00
	8mm (6P)	4 7/8 x 1 x 1 1/2	1/4	75046-01-00	76046-01-00
	15mm (11P)	6 7/8 x 1 5/8 x 2 3/4	1/2	75066-01-00	76066-01-00
<b>Normally Open</b> Spring Return 	6mm (9P)	4 7/8 x 1 x 1 1/2	1/8	75026-11-00	76026-11-00
	8mm (6P)	4 7/8 x 1 x 1 1/2	1/4	75046-11-00	76046-11-00
	15mm (11P)	6 7/8 x 1 5/8 x 2 3/4	1/2	75066-11-00	76066-11-00
<b>Normally Closed</b> External Air Pilot * Spring Return 	6mm (9P)	6 1/4 x 1 x 1 1/2	1/8	75326-01-00	76326-01-00
	8mm (6P)	6 1/4 x 1 x 1 1/2	1/4	75346-01-00	76346-01-00
	15mm (11P)	8 1/8 x 1 5/8 x 2 3/4	1/2	75366-01-00	76366-01-00
<b>Normally Open</b> External Air Pilot * Spring Return 	6mm (9P)	6 1/4 x 1 x 1 1/2	1/8	75326-11-00	76326-11-00
	8mm (6P)	6 1/4 x 1 x 1 1/2	1/4	75346-11-00	76346-11-00
	15mm (11P)	8 1/8 x 1 5/8 x 2 3/4	1/2	75366-11-00	76366-11-00

#### Order Coils Separately

Valve catalog numbers do not include solenoid coils. Coils are supplied loose and unmounted as separate items.

AC Coil Catalog No. 76410-02-\*\*-

DC Coil Catalog No. 76410-00-\*\*-

\*\* - Add the required coil voltage suffix code from the chart below to complete the coil catalog number.

Voltage	AC	DC
12V	-	01
24V	12	02
48V	13	03
110V	14	04
230V	15	05

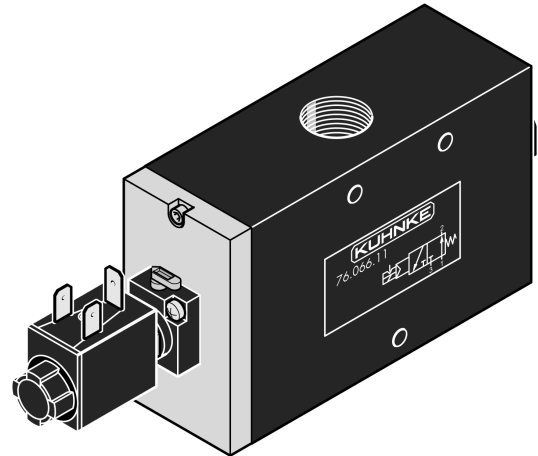
\* External Air Pilot: valves have an auxiliary 10-32 (M5) port (1/8 on 1/2 ported valves) for connecting a separate air pilot supply for the solenoid section. For use when switching air pressures below 35 PSI.

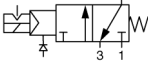
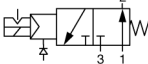
Operating pressure range is 35 to 145 PSI. (Use valves with external pilot for switching lower pressures).

For 2-way operation plug exhaust port 3. Through body mounting holes are 3/16" for 1/8 and 1/4 ported valves, 1/4 " for 1/2 ported valves.

**For valve specifications see appendix. See accessory section for electrical connectors. For detail dimensions contact factory.**

### 3 Way Solenoid Valves for Vacuum Use



Description	Orifice (Body No.)	Dimensions (Approx. inches) L x W x H	Port Size	Catalog Number	
				NPT Ports (USA Std.)	Metric Ports (European Std.)
<b>Normally Closed</b> External Air pilot * Spring Return 	6mm (9P)	5 x 1 x 1 5/8	1/8	75226-01-00	76226-01-00
	8mm (6P)	5 x 1 x 1 5/8	1/4	75246-01-00	76246-01-00
	15mm (11P)	6 7/8 x 1 5/8 x 2 7/8	1/2	75266-01-00	76266-01-00
<b>Normally Open</b> External Air pilot * Spring Return 	--	--	--	--	--
	8mm (6P)	5 x 1 x 1 5/8	1/4	75246-11-00	76246-11-00
	15mm (11P)	6 7/8 x 1 5/8 x 2 7/8	1/2	75266-11-00	76266-11-00

Valves are similar to the standard 3 way valves shown on the opposite page except have been modified with special seals and springs for vacuum applications. Valves have an external air supply port required to operate the pilot valve.

#### Order Coils Separately

Valve catalog numbers do not include solenoid coils. Coils are supplied loose and unmounted as separate items. (Double solenoids require 2 coils.)

**AC Coil Catalog No. 76410-02-\*\***

**DC Coil Catalog No. 76410-00-\*\***

\*\* - Add the required coil voltage suffix code from the chart below to complete the coil catalog number.

Voltage	AC	DC
12V	-	01
24V	12	02
48V	13	03
110V	14	04
230V	15	05

\* External Air Pilot: Valves have an auxiliary 10-32 (M5) port (1/8 on 1/2 ported valves) for connecting a separate air pilot supply for the solenoid section. A minimum of 35 PSI is required to operate valve.

Through body holes are 3/16" for 1/8 and 1/4 ported valves, 1/4 " for 1/2 ported valves.

**For valve specifications see appendix. See accessory section for electrical connectors. For detail dimensions contact factory.**