

The following page(s) are extracted from multi-page Kuhnke product catalogues or CDRoms and any page number shown is relevant to the original document. The PDF sheets here may have been combined to provide technical information about the specific product(s) you have selected.

Hard copy product catalogues, and CDRoms have been published describing Kuhnke Pneumatics, Solenoids, Relays and Electronics; some divided into different books. A list of current publications is available on this web site or from our sales offices. Some may be available for download, but as substantially larger files.

Contact Details

Kuhnke sales and service in North America

Kuhnke
Automation Inc.
P.O Box 1369
Wayne, N.J.

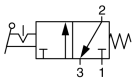
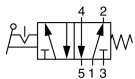
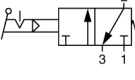
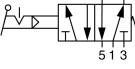
T: (973) 633 0690
F: (973) 633 7230
Email: sales@kuhnkeusa.com

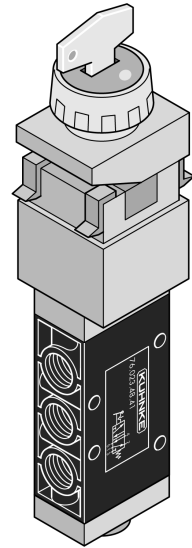
Important Note

The information shown in these documents is for guidance only. No liability is accepted for any errors or omissions. The designer or user is solely responsible for the safe and proper application of the parts, assemblies or equipment described.

Key Operated 2 Position Selector

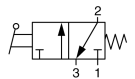
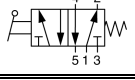
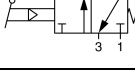
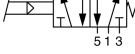
Key provides security for locking off air supply to equipment.

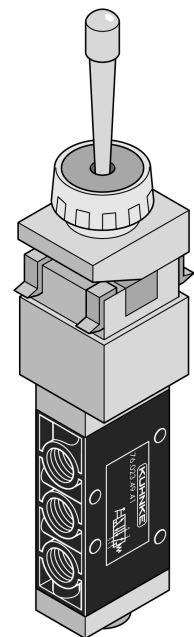
| Description | Orifice (Body No.) | Port Size | Catalog Number | |
|---|--|-----------|-------------------------|---------------------------------|
| | | | NPT Ports (USA Std.) | Metric Ports (European Std.) |
| 3 Way Normally Closed Maintained Position |  6mm (1S) | 1/8 | 75022-48-21 | 76022-48-21 |
| 4 Way Maintained Position |  6mm (2S) | 1/8 | 75023-48-41 | 76023-48-41 |
| 3 Way Air Pilot Assisted Normally Closed Maintained Position |  6mm (1S) | 1/8 | 75022-58-21 | 76022-58-21 |
| 4 Way Air Pilot Assisted Maintained Position |  6mm (2S) | 1/8 | 75023-58-41 | 76023-58-41 |



Wobble Stick

Moving stick in any direction operates valve. Spring return to off.

| Description | Orifice (Body No.) | Port Size | Catalog Number | |
|---|---|-----------|-------------------------|---------------------------------|
| | | | NPT Ports (USA Std.) | Metric Ports (European Std.) |
| 3 Way Normally Closed Spring Return |  6mm (1S) | 1/8 | 75022-49-21 | 76022-49-21 |
| 4 Way Spring Return |  6mm (2S) | 1/8 | 75023-49-41 | 76023-49-41 |
| 3 Way Air Pilot Assisted Normally Closed Spring Return |  6mm (1S) | 1/8 | 75022-59-21 | 76022-59-21 |
| 4 Way Air Pilot Assisted Spring Return |  6mm (2S) | 1/8 | 75023-59-41 | 76023-59-41 |



See page 14 for general information on miniature oil tight pushbutton valves.

Operating pressure range std. type- 0-145 PSI; air piloted types minimum 35 PSI. Actuation force: std. - 7.9 lbs., air pilot assisted types 1.8 lbs. Above panel dim. are 1.125" dia. x .5" H (key) or 2.75" H (wobble). Behind panel dimensions are 4" (3 way), 4.5" (4 way) D. x 1.375" H x .75 W.

For valve specifications see appendix. For detail dimensions contact factory.