

The following page(s) are extracted from multi-page Kuhnke product catalogues or CDRoms and any page number shown is relevant to the original document. The PDF sheets here may have been combined to provide technical information about the specific product(s) you have selected.

Hard copy product catalogues, and CDRoms have been published describing Kuhnke Pneumatics, Solenoids, Relays and Electronics; some divided into different books. A list of current publications is available on this web site or from our sales offices. Some may be available for download, but as substantially larger files.

Contact Details

Kuhnke sales and service in North America

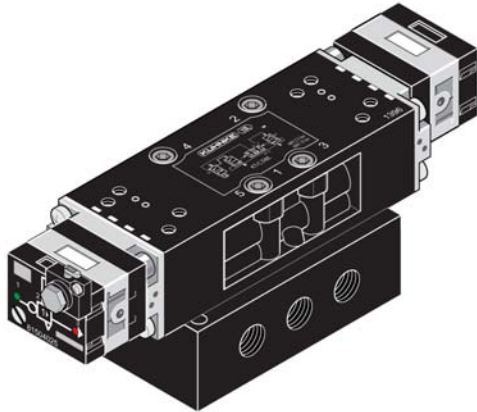
Kuhnke
Automation Inc.
P.O Box 1369
Wayne, N.J.

T: (973) 633 0690
F: (973) 633 7230
Email: sales@kuhnkeusa.com

Important Note

The information shown in these documents is for guidance only. No liability is accepted for any errors or omissions. The designer or user is solely responsible for the safe and proper application of the parts, assemblies or equipment described.

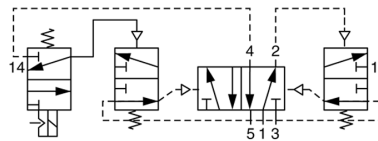
Oscillator Valve, Pneumatic Actuation



75083-90-42 NPT Ports

76083-90-42 Metric Ports

Valve can be used to oscillate a double acting cylinder. Applications include mixing, stirring or sawing devices where time critical cycling is not required. A pneumatic control signal applied to the control port starts valve oscillating. Speed is dependent on connected volume and line pressure, and can be controlled by the addition of flow control valves on the cylinder input ports. Typical speed is 16 cycles per minute at 90 PSI.



Port Size- 1/8

Orifice- 6mm

Body No.- 8S

Dimensions-

6 3/4" L x 2" W x 2 1/8" H.

Operating pressure range 35 to 145 PSI. Actuation force (pilot pressure): 35 PSI minimum.

Pilot port size is 1/8. Mounting via 4 through body holes 3/16" Dia.

Oscillator valve will not operate if applied on vented applications such as an air motor. Working ports must have a connected defined volume.

For valve specifications see appendix. For detail dimensions contact factory.