

The following page(s) are extracted from multi-page Kuhnke product catalogues or CDRoms and any page number shown is relevant to the original document. The PDF sheets here may have been combined to provide technical information about the specific product(s) you have selected.

Hard copy product catalogues, and CDRoms have been published describing Kuhnke Pneumatics, Solenoids, Relays and Electronics; some divided into different books. A list of current publications is available on this web site or from our sales offices. Some may be available for download, but as substantially larger files.

## Contact Details

Kuhnke sales and service in North America

Kuhnke  
Automation Inc.  
P.O Box 1369  
Wayne, N.J.

T: (973) 633 0690  
F: (973) 633 7230  
Email: [sales@kuhnkeusa.com](mailto:sales@kuhnkeusa.com)

### Important Note

The information shown in these documents is for guidance only. No liability is accepted for any errors or omissions. The designer or user is solely responsible for the safe and proper application of the parts, assemblies or equipment described.

---

Kompakt-Ventile LPP700  
 Baubreite 15 mm  
 Modulares System Sub-D Ventilinsel  
 Merkmale

Compact Valves LPP700  
 Width 15 mm  
 Modular System Sub-D Valve Island  
 Features

Monostabil  
 Bis zu 18 Ventilplätze  
 Sub-D Anschluss 25 pin  
 Schutzart IP 65  
 5/2-Wege



Monostable  
 Up to 18 valve positions  
 Sub-D connector 25 pin  
 Protection class IP 65  
 5/2-way

Bistabil  
 Bis zu 11 Ventilplätze  
 Sub-D Anschluss 25 pin  
 Schutzart IP 65  
 5/2-Wege



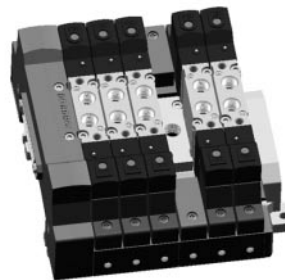
Bistable  
 Up to 11 valve positions  
 Sub-D connector 25 pin  
 Protection class IP65  
 5/2-way

Gemischte Bestückung  
 Monostabil – bistabil – 5/3-Wege  
 Schutzart IP 65



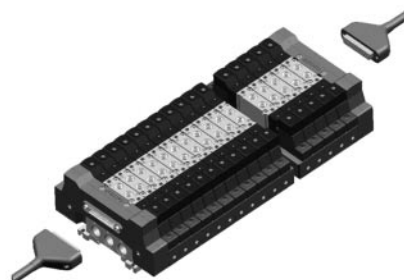
Mixed configuration  
 Monostable – bistable – 5/3-way  
 Protection class IP 65

Getrennte Druckbereiche und  
 Zwischeneinspeisung



Different pressures and  
 Intermediate pressure supply

Beidseitige Sub-D Versorgung  
 Verdoppelung der Ventilplätze durch  
 Verwendung zweier Sub-D Module



Double sided Sub-D supply  
 Double number of positions using  
 two Sub-D input modules

Kompakt-Ventile LPP700  
 Baubreite 15 mm  
 Modulares System Sub-D Ventilinsel

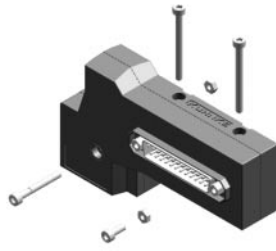
Compact Valves LPP700  
 Width 15 mm  
 Modular System Sub-D Valve Island

Eingangsmodul Monostabil

<b>Bestell-Nr.</b>
<b>77.0IMM</b>

Input Module Monostable

<b>Order no.</b>
<b>77.0IMM</b>

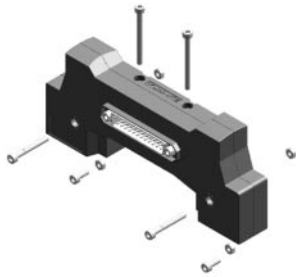


Eingangsmodul Bistabil

<b>Bestell-Nr.</b>
<b>77.0IMB</b>

Input Module Bistable

<b>Order no.</b>
<b>77.0IMB</b>

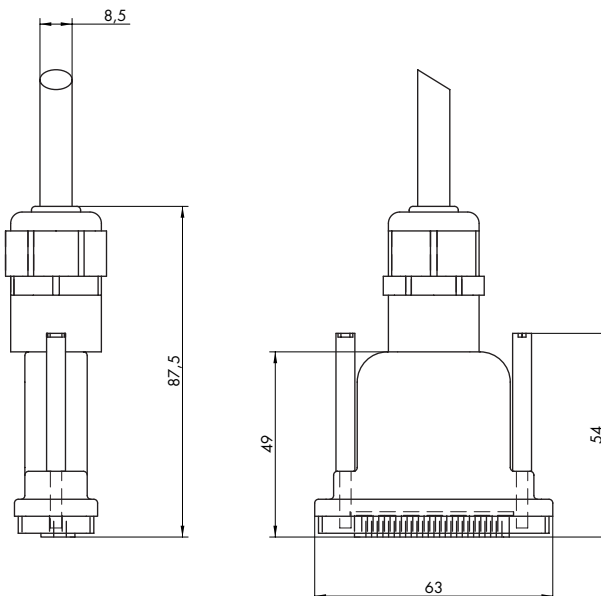


Steckverbinder Sub-D IP 65

<b>Bestell-Nr.</b>
<b>77.CAB (5 m)</b>

Sub-D Connector IP 65

<b>Order no.</b>
<b>77.CAB (5 m)</b>

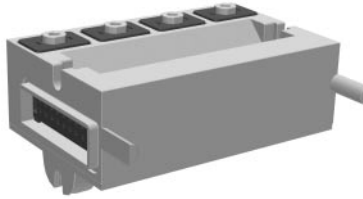


Kompakt-Ventile LPP700  
Baubreite 15 mm  
Modulares System Sub-D Ventilinsel

Compact Valves LPP700  
Width 15 mm  
Modular System Sub-D Valve Island

Verbindungsmodul 4 Plätze

Bestell-Nr.	
rechts	77.0M4R
links	77.0M4L

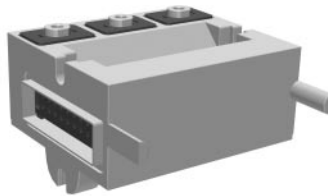


Connection Module 4 positions

Order no.	
77.0M4R	right
77.0M4L	left

Verbindungsmodul 3 Plätze

Bestell-Nr.	
rechts	77.0M3R
links	77.0M3L

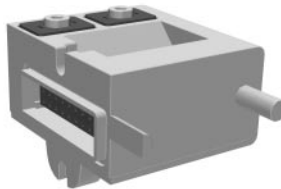


Connection Module 3 positions

Order no.	
77.0M3R	right
77.0M3L	left

Verbindungs-End-Modul 2 Plätze

Bestell-Nr.	
rechts	77.0M2R
links	77.0M2L

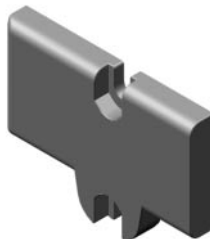


Connection-end-module 2 positions

Order no.	
77.0M2R	right
77.0M2L	left

Abschlusskappe für  
Verbindungsmodul 3 und 4 Plätze

Bestell-Nr.	
rechts	77.0ENDR
links	77.0ENDL



End-cap for  
Connection Module 3 and 4 positions

Order no.	
77.0ENDR	right
77.0ENDL	left

Blindplatte für ungenutzten elektrischen  
Steckplatz

Bestell-Nr.	
77.0PLUG	



Blindplug for not used electrical position

Order no.	
77.0PLUG	

Pin Strip

Bestell-Nr.	
77.0PIN (10 Stck)	

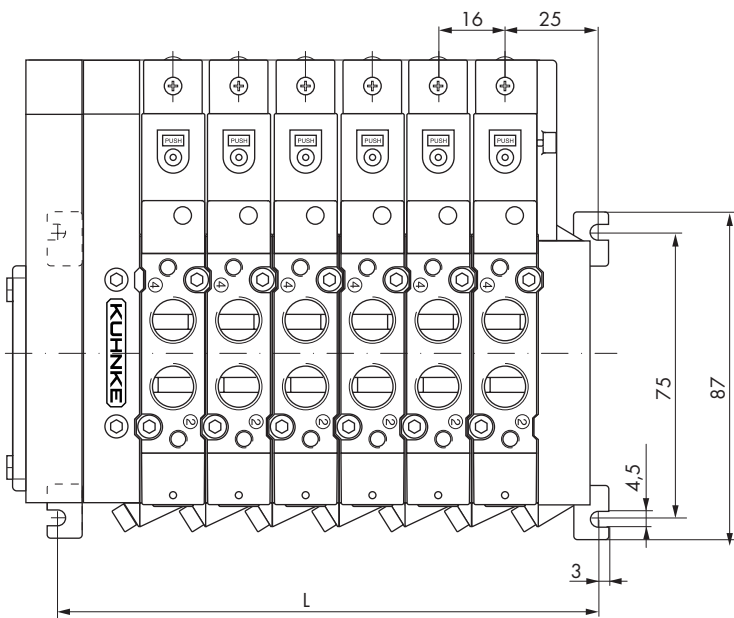
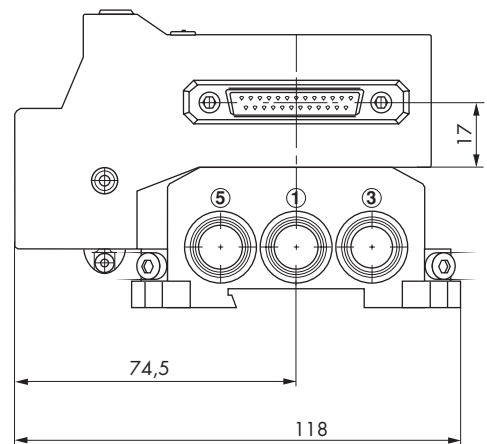
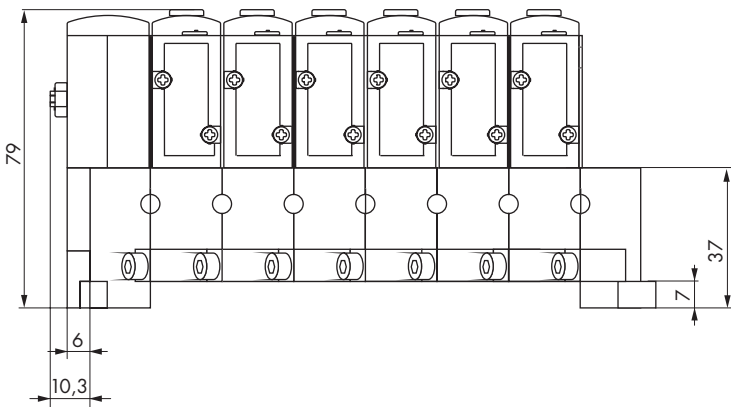


Pin strip

Order no.	
77.0PIN (10 pcs)	

Kompakt-Ventile LPP700  
 Baubreite 15 mm  
 Modulares System Sub-D Ventilinsel  
 Maßbild monostabil

Compact Valves LPP700  
 Width 15 mm  
 Modular System Sub-D Valve Island  
 Dimensional Drawing Monostable



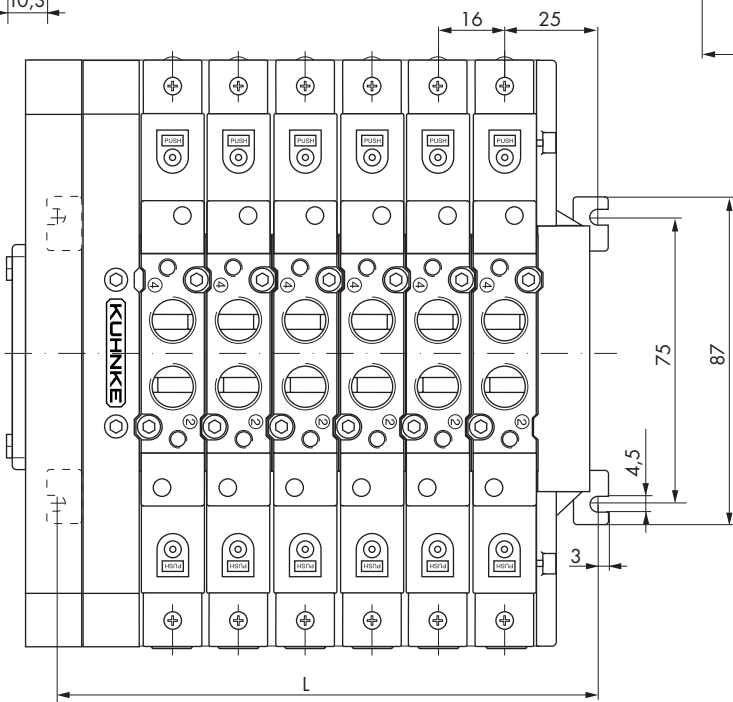
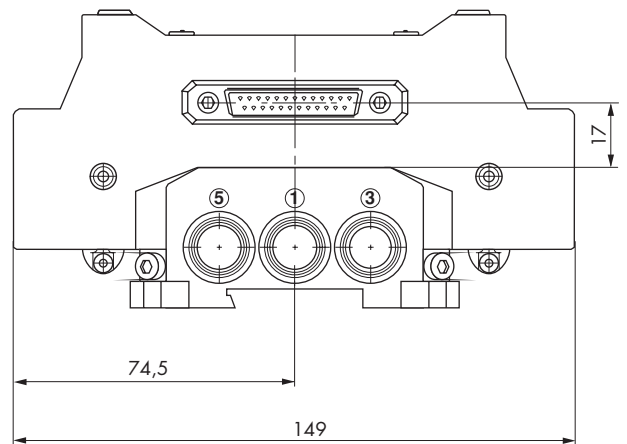
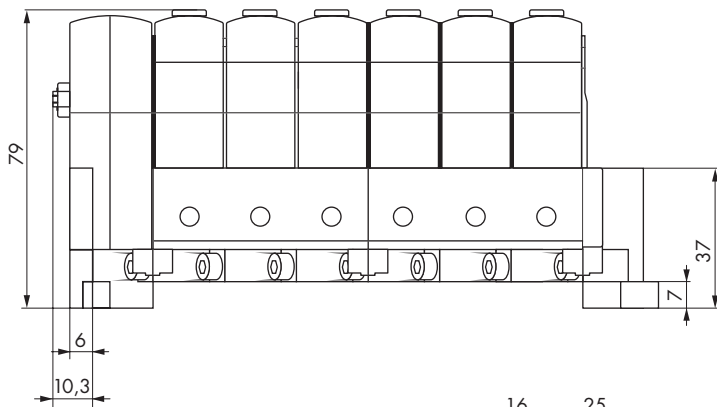
Anzahl der Ventilplätze

Number of stations

	2	3	4	5	6	7	8	9	10	11	12	13	14	15	16	17	18
L	66	82	98	114	130	146	162	178	194	210	226	242	258	274	290	306	322

Kompakt-Ventile LPP700  
 Baubreite 15 mm  
 Modulares System Sub-D Ventilinsel  
 Maßbild bistabil

Compact Valves LPP700  
 Width 15 mm  
 Modular System Sub-D Valve Island  
 Dimensional Drawing Bistable



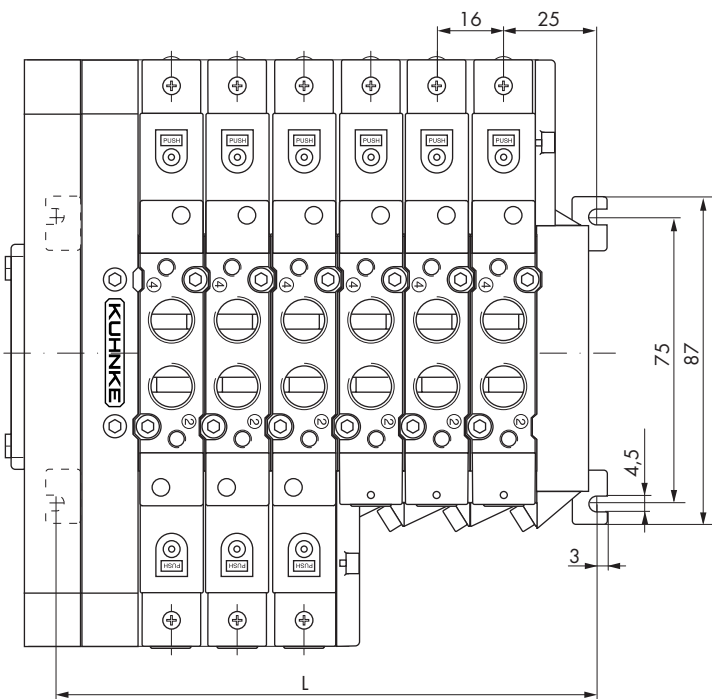
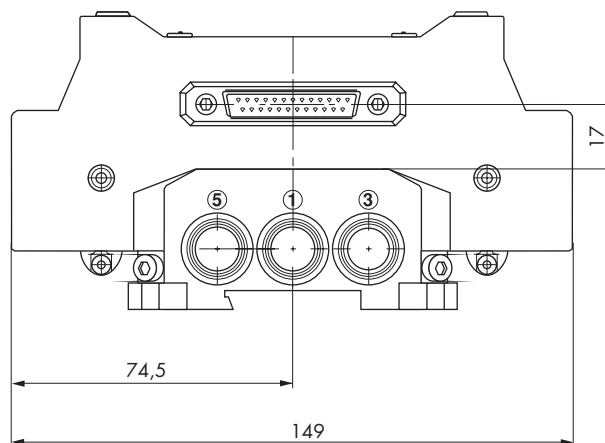
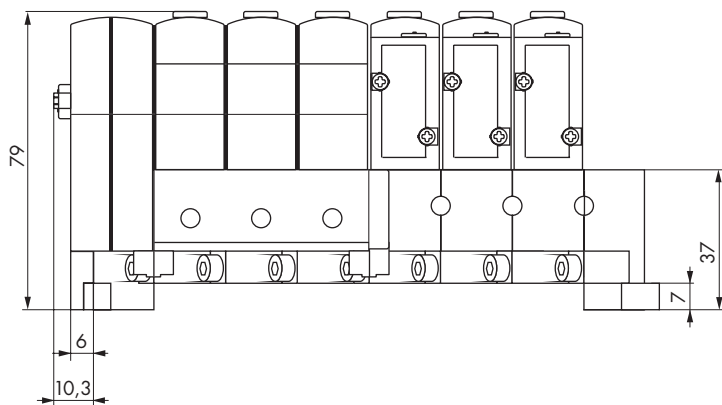
Anzahl der Ventilplätze

Number of stations

	2	3	4	5	6	7	8	9	10	11
L	66	82	98	114	130	146	162	178	194	210

Kompakt-Ventile LPP700  
 Baubreite 15 mm  
 Modulares System Sub-D Ventilinsel  
 Maßbild gemischte Bestückung

Compact Valves LPP700  
 Width 15 mm  
 Modular System Sub-D Valve Island  
 Dimensional Drawing Mixed Configuration



		monostable																		
		0	1	2	3	4	5	6	7	8	9	10	11	12	13	14	15	16	17	
bistable	1																			
	2																			
	3																			
	4																			
	5																			
	6																			
	7																			
	8																			
	9																			
	10																			
	11																			

VARIOUS POSSIBLE ASSEMBLINGS

Anzahl der Ventilplätze

Number of stations

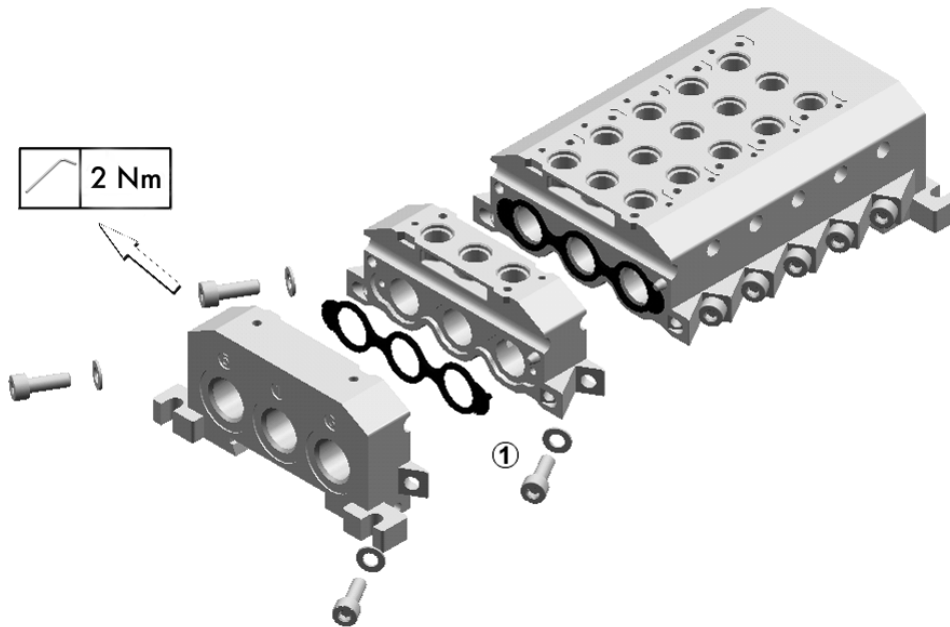
	2	3	4	5	6	7	8	9	10	11	12	13	14	15	16	17	18
L	66	82	98	114	130	146	162	178	194	210	226	242	258	274	290	306	322

Kompakt-Ventile LPP700  
Baubreite 15 mm  
Modulares System Sub-D Ventilinsel  
Montagehinweise

Compact Valves LPP700  
Width 15 mm  
Modular System Sub-D Valve Island  
Assembly

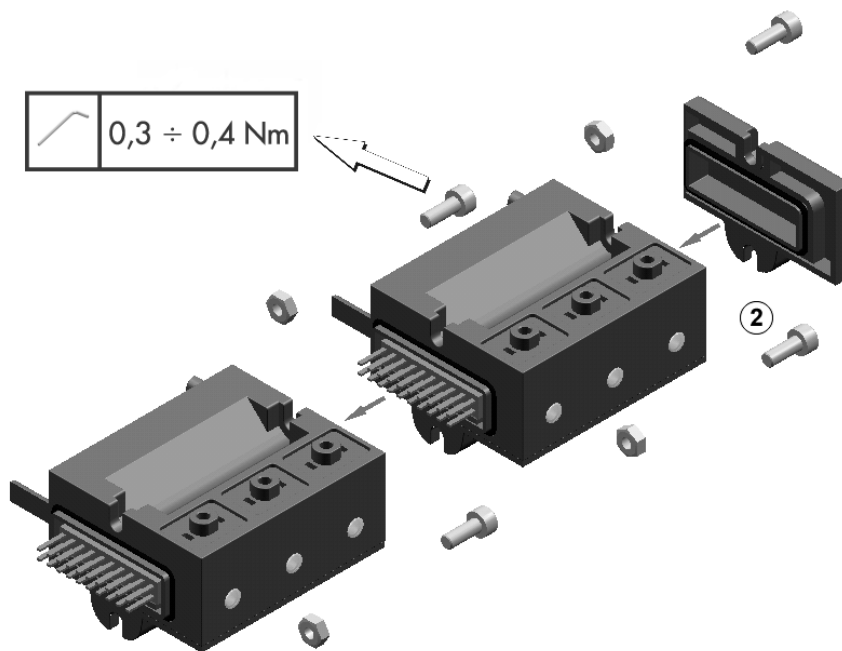
Montage der Anschlussplatten

Assembly of the subplates



Montage der Verbindungsmodule

Assembly of the connecting modules

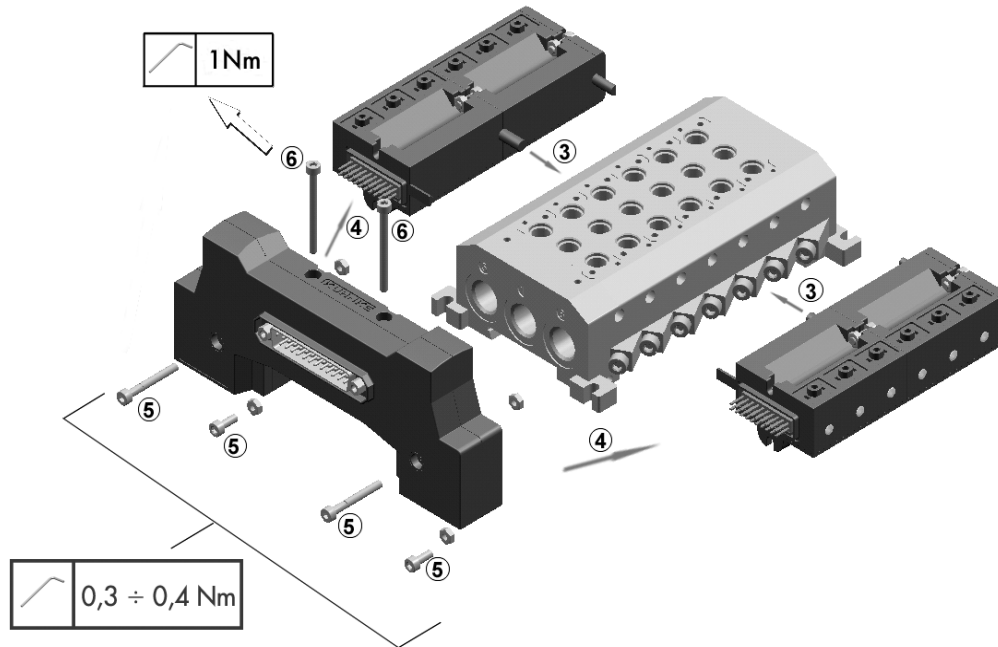


Kompakt-Ventile LPP700  
 Baubreite 15 mm  
 Modulares System Sub-D Ventilinsel  
 Montagehinweise

Compact Valves LPP700  
 Width 15 mm  
 Modular System Sub-D Valve Island  
 Assembly

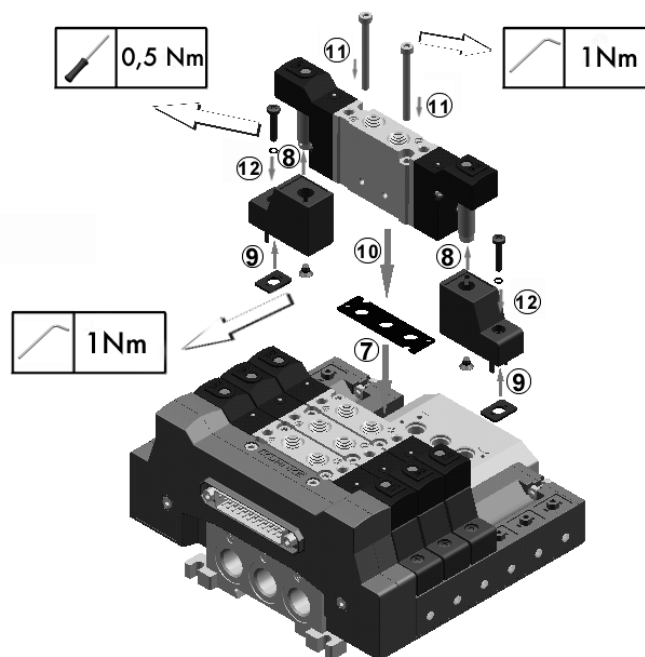
Montage der Module an die Anschluss-  
 platten

Mounting of the modules to the subplates



Montage der Ventile

Assembly of the valves

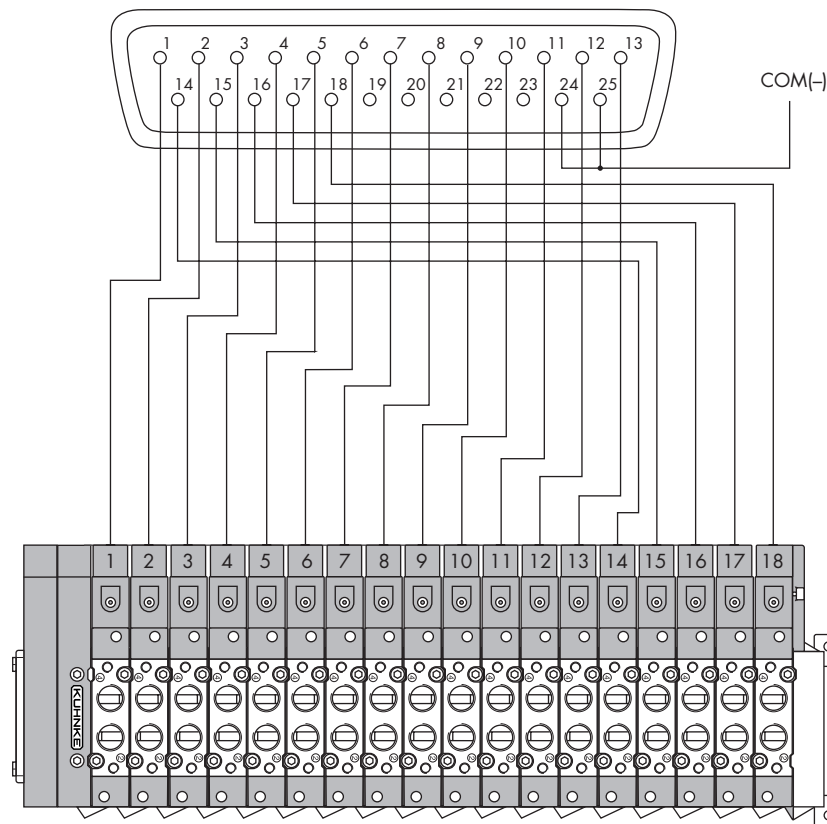
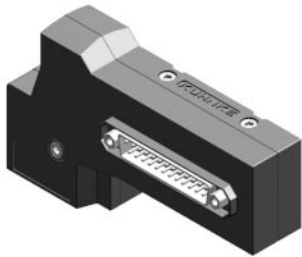


Kompakt-Ventile LPP700  
 Baubreite 15 mm  
 Modulares System Sub-D Ventilinsel  
 Verdrahtung 25 pin Stecker

Compact Valves LPP700  
 Width 15 mm  
 Modular System Sub-D Valve Island  
 Wiring 25 pin Connector

Monostabil

Monostable



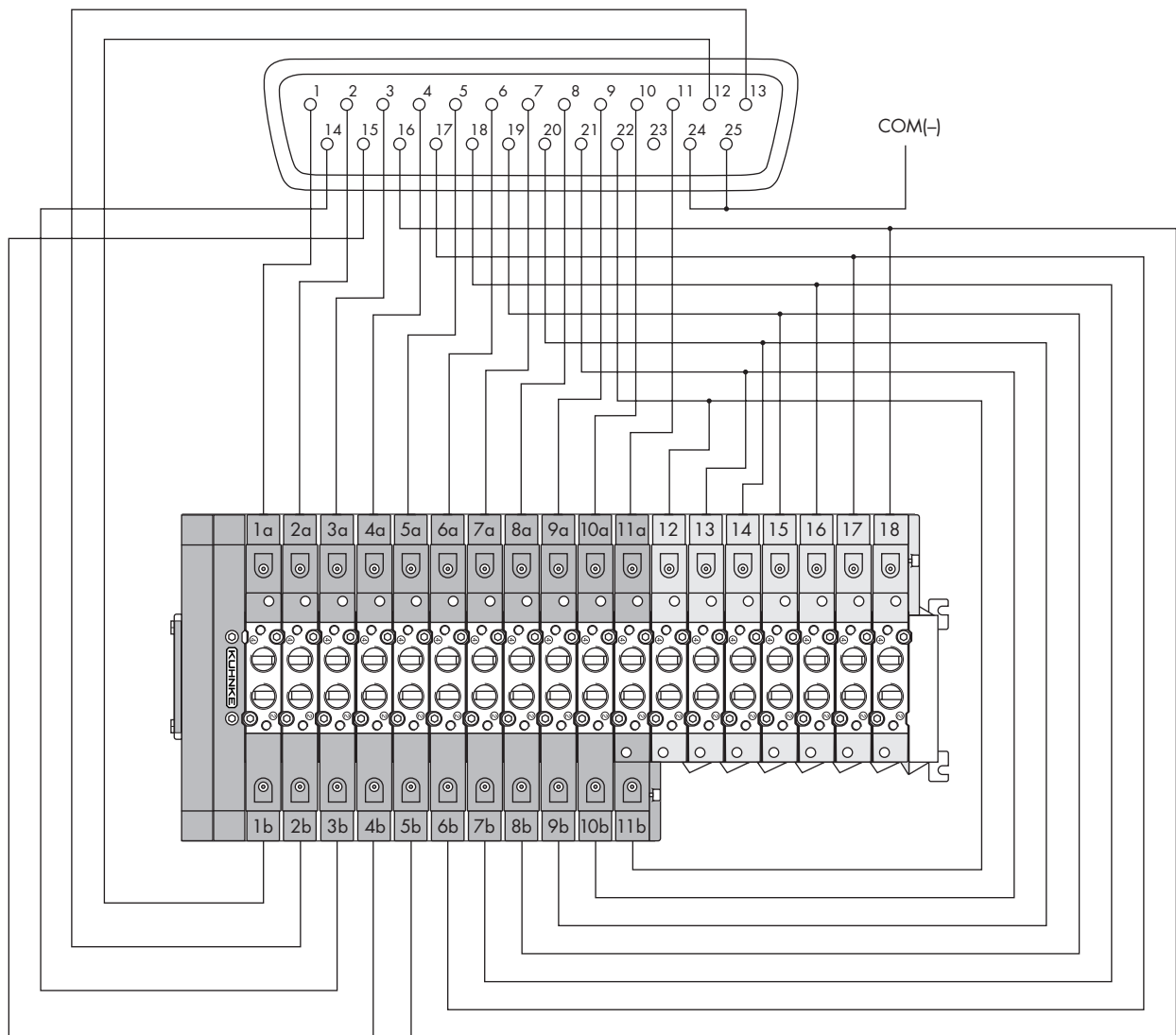
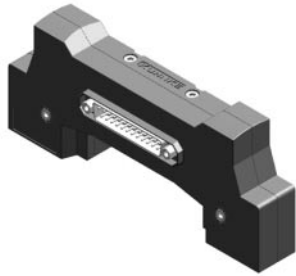
<b>Buchsen-Nr. im Sub-D-Stecker</b>	1	2	3	4	5	6	7	8	9	10	11	12	13	<b>Pin no. Sub-D connector</b>
<b>Farbe der Isolation</b>	BN brown	BN brown	RD red	RD red	RD red	OR orange	OR orange	OR orange	PK pink	PK pink	YE yellow	YE yellow	GN green	<b>Colour of insulation</b>
<b>Farbe des Kennstreifens</b>		WT white		WT white	BK black		WT white	BK black		BK black		BK black	(dark)	<b>Colour of identification strip</b>
<b>Buchsen-Nr. im Sub-D-Stecker</b>	14	15	16	17	18	19	20	21	22	23	24	25		<b>Pin no. Sub-D connector</b>
<b>Farbe der Isolation</b>	GN green	GN green	GN green	BU blue	BU blue	VT violet	VT violet	GY grey	GY grey	WH white	BK black	BK black		<b>Colour of insulation</b>
<b>Farbe des Kennstreifens</b>	WH white	BK black	(bright)		WH white		WH white		BK black			GY grey		<b>Colour of identifications strip</b>

Kompakt-Ventile LPP700  
 Baubreite 15 mm  
 Modulares System Sub-D Ventilinsel  
 Verdrahtung 25 pin Stecker

Compact Valves LPP700  
 Width 15 mm  
 Modular System Sub-D Valve Island  
 Wiring 25 pin Connector

Bistabil

Bistable



<b>Buchsen-Nr. im Sub-D-Stecker</b>	<b>1</b>	<b>2</b>	<b>3</b>	<b>4</b>	<b>5</b>	<b>6</b>	<b>7</b>	<b>8</b>	<b>9</b>	<b>10</b>	<b>11</b>	<b>12</b>	<b>13</b>	<b>Pin no. Sub-D connector</b>
<b>Farbe der Isoliation</b>	BN brown	BN brown	RD red	RD red	RD red	OR orange	OR orange	OR orange	PK pink	PK pink	YE yellow	YE yellow	GN green	<b>Colour of insulation</b>
<b>Farbe des Kennstreifens</b>		WT white		WT white	BK black		WT white	BK black		BK black		BK black	(dark)	<b>Colour of identification strip</b>
<b>Buchsen-Nr. im Sub-D-Stecker</b>	<b>14</b>	<b>15</b>	<b>16</b>	<b>17</b>	<b>18</b>	<b>19</b>	<b>20</b>	<b>21</b>	<b>22</b>	<b>23</b>	<b>24</b>	<b>25</b>		<b>Pin no. Sub-D connector</b>
<b>Farbe der Isoliation</b>	GN green	GN green	GN green	BU blue	BU blue	VT violet	VT violet	GY grey	GY grey	WH white	BK black	BK black		<b>Colour of insulation</b>
<b>Farbe des Kennstreifens</b>	WH white	BK black	(bright)		WH white		WH white		BK black			GY grey		<b>Colour of identifications strip</b>