

The following page(s) are extracted from multi-page Kuhnke product catalogues or CDRoms and any page number shown is relevant to the original document. The PDF sheets here may have been combined to provide technical information about the specific product(s) you have selected.

Hard copy product catalogues, and CDRoms have been published describing Kuhnke Pneumatics, Solenoids, Relays and Electronics; some divided into different books. A list of current publications is available on this web site or from our sales offices. Some may be available for download, but as substantially larger files.

Contact Details

Kuhnke sales and service in North America

Kuhnke
Automation Inc.
P.O Box 1369
Wayne, N.J.

T: (973) 633 0690
F: (973) 633 7230
Email: sales@kuhnkeusa.com

Important Note

The information shown in these documents is for guidance only. No liability is accepted for any errors or omissions. The designer or user is solely responsible for the safe and proper application of the parts, assemblies or equipment described.

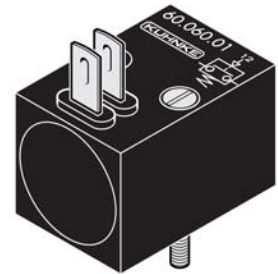
Miniature Pressure Switch

60006-01

- Op. Pressure:**
12-115 PSI
- Connections:**
10-32 (M5) port
- Contact Rating:**
10 mA @ 42V DC (NO)
- Connection:**
Solder or push on terminals.
- Dimensions:**
1" H x 1 1/16" W x 1" D
Weight - 1 oz.
- Mounting:**
Through body holes.
- Operating Ambient:**
-10° C to 60° C
(-14° F to 140° F)



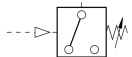
Small micro switch used to detect the presence of air pressure in pneumatic systems. The switch is 10-32 (M5) ported and contains a micro switch rated at 100 mA 24V DC. The switch is designed for use with programmable controllers, providing indication of air pressure, operating when pressure rises above 12 PSI ($\pm 25\%$).



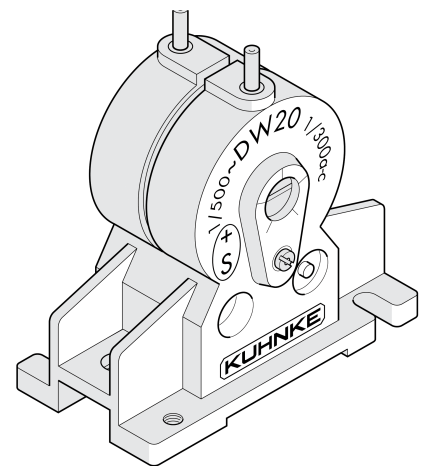
Adjustable High Sensitivity Pressure Switch

60006

- Min./Max. Pressures:**
.04 to .4 PSI
pressure or vacuum.
- Max. Overload Pressure:**
1.4 PSI.
- Contact Rating:**
1 Amp and 220V AC.
- Dimensions:**
2 5/16" H x 2 1/4" W x 13/16" D
Weight - 3 ozs.
- Mounting:**
2 mounting holes in base.
- Operating Ambient:**
-15° C to 70° C
(-5° F to 160° F)



The high sensitivity pressure switch is used to detect pressures or vacuum between .04 and 0.4 PSI. It can be used in detection systems operated by changes in air pressure. The switch is diaphragm operated, with an integral, adjustable electrical contact rated at 1 Amp 220V AC.



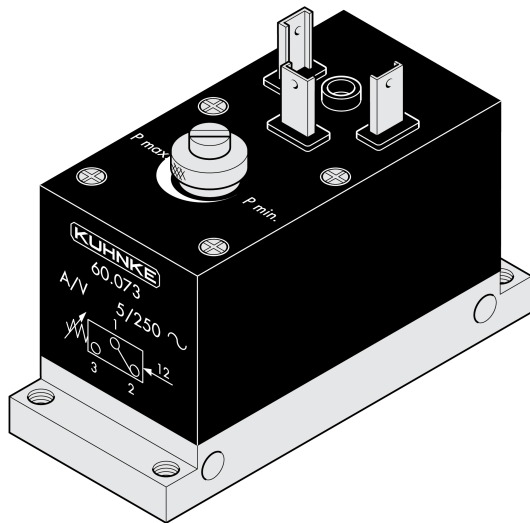
Pressure Switches and Indicators

Series 60 P/E Switches

Kuhnke System Logic Devices

Adjustable Pressure Switch

(Normal and Low Pressure types)



60073-80-99 Standard version 45 to 115 PSI.

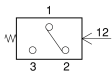
60073-40-99 Low pressure version 7.5 to 60 PSI.

The Series 60 adjustable pressure switch is designed for use in detecting pressure in pneumatic systems, and provides an electrical contact output to control or indication devices.

The P/E switch pull in pressure can be adjusted throughout its operating pressure range. The dropout point is $\pm 3\%$ below the set point pressure.

An electrical micro-switch with a form C (make/break) contact is actuated by a separate diaphragm operated system. Contacts are rated 10A at 230V AC. 1/4 " push on connectors or an electrical plug (cat. no. 67499) can be used to complete electrical connections.

Other versions of the adjustable P/E switch are available for specific applications. They include electrical contacts rated at 100mA (catalog suffix – **01**) and contacts rated at 6 Amps. (catalog suffix – **60**).



Technical Specifications

Op. Pressure:

45-115 PSI Standard
7.5-60 PSI Low press. version

Connections:

10-32 (M5) bottom ported

Media:

Filtered Air.

Pull in Pressure:

Adjustable full range

Drop out Pressure:

3 % of pick-up pressure.

Contact output:

1 form C contact.

Terminal Marking:

1 - Common
2 - N/C contact
3 - N/O contact

Contact Rating:

10A @ 230V AC
6A @ 120V AC
5A @ 24V DC

Electrical Connectors:

1/4" push on or
Cat. No. 67499 plug.

Setting:

Via adjustment screw.

Operating Ambient:

0°C to 60°C (32°F to 140°F).

Materials:

Molded body, aluminum base,
Viton diaphragms, seals.

Dimensions:

2 3/4" L x 1 1/4" W x 2 1/2" H.

Mounting:

Via 4 holes in base.