

The following page(s) are extracted from multi-page Kuhnke product catalogues or CDRoms and any page number shown is relevant to the original document. The PDF sheets here may have been combined to provide technical information about the specific product(s) you have selected.

Hard copy product catalogues, and CDRoms have been published describing Kuhnke Pneumatics, Solenoids, Relays and Electronics; some divided into different books. A list of current publications is available on this web site or from our sales offices. Some may be available for download, but as substantially larger files.

Contact Details

Kuhnke sales and service in North America

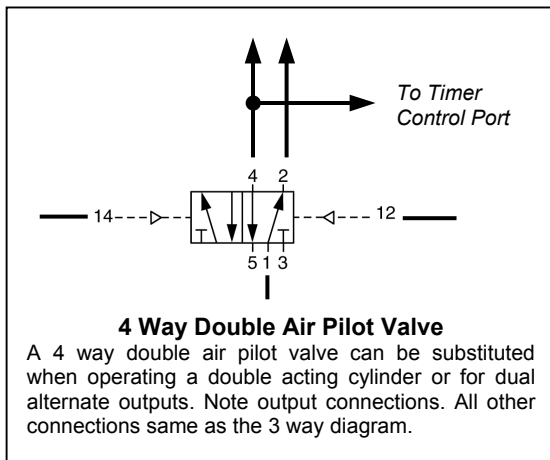
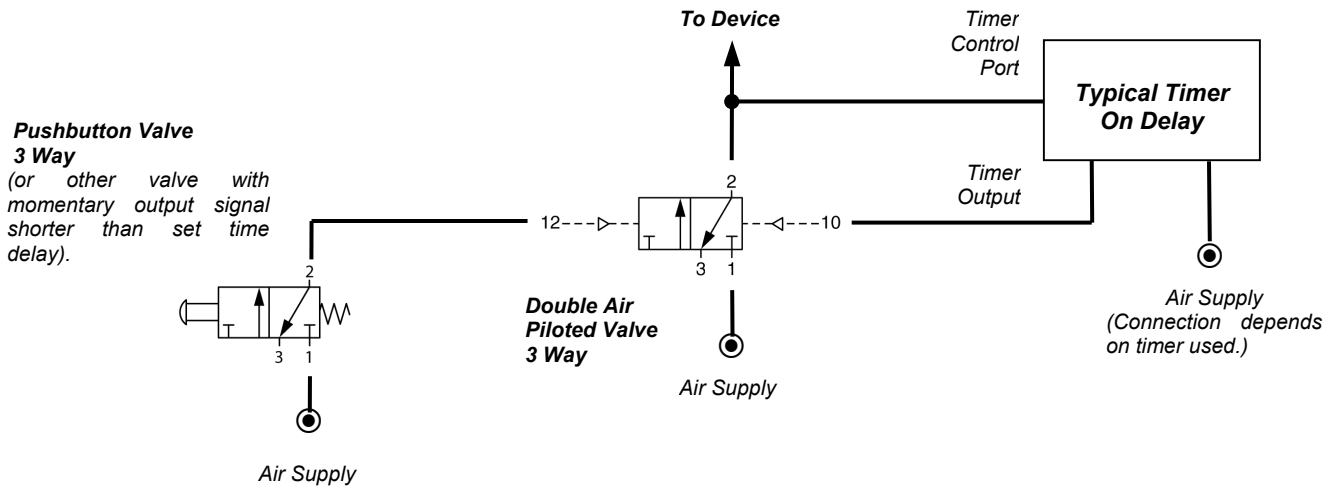
Kuhnke
Automation Inc.
P.O Box 1369
Wayne, N.J.

T: (973) 633 0690
F: (973) 633 7230
Email: sales@kuhnkeusa.com

Important Note

The information shown in these documents is for guidance only. No liability is accepted for any errors or omissions. The designer or user is solely responsible for the safe and proper application of the parts, assemblies or equipment described.

Timing Using a Momentary Start Signal



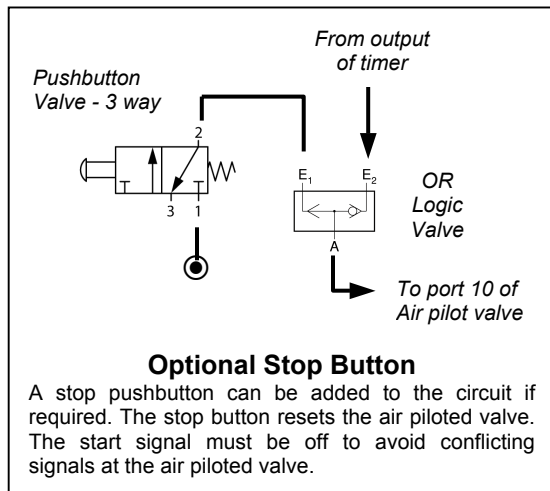
A timing sequence can be established from a momentary pressure signal using an interposing pneumatically operated valve. The most common signal used is from a pushbutton, but inputs from limit switches, foot pedals or other devices can be used to initiate timing. The size of the air piloted valve determines the air volume output.

Operation

Pressing the pushbutton sends a signal to switch the air piloted valve on. The valve output is connected to the device to be controlled and to the timer control port. When the timer reaches it's set time it sends a signal back to the air piloted valve resetting it, turning off the output to the device. The timer resets.

Typical Item Selection

Any on delay timer (consider length of time required and mounting preference).
 Pushbutton 3 way (choice of color)- Cat. nos. 75022-62-21 (Red), -23 (Black) or -24 (Green).
 Double air piloted valve 3 way- Cat. no. 75022-71-22 (1/8 Ports).
 For larger sizes of double air piloted valves use a 4 way valve and plug port 2 for 3 way operation. Connect device and timer control to port 4 of 4 way valve. Use Cat. nos. 75047-81-42 for 1/4 ports or 75067-81-42 for 1/2 ports.



Optional Stop Button

A stop pushbutton can be added to the circuit if required. The stop button resets the air piloted valve. The start signal must be off to avoid conflicting signals at the air piloted valve.